

Your Solution Partner in  
Industrial Valve  
*Automation...*

# Solenoid Valve



## 2/2 & 3/2 Way Solenoid Valve

- High Pressure & High Temperature
- Screwed / Flanged / T. C. End
- Voltage : 12V, 24V, 48V, 110V, 230V, AC/DC
- Coil Type : General / IP 65 & 67 / IS / IEC 60529
- Flame Proof / Weather Proof / Terminal Junction Box
- Intrinsically Safe Coil



Mfg. & Mkt by :

**airaEuroautomation pvt. ltd.**  
INDIA



IBR



[www.airaindia.com](http://www.airaindia.com) / [www.airaeuro.com](http://www.airaeuro.com)



## About Us



Aira Euro Automation Pvt. Ltd. headquartered in Ahmedabad, Gujarat, India accredited with ISO 9001, from BVQI – LONDON is one of the leading manufacturer and exporter of automation and manual valves in the small sector in India having over 25-years of experience maintains one of the largest and most diversified markets of valves globally. We export our product in more than 20+ countries and have received excellent feedbacks.

We manufacture pneumatic actuator operated valves, automation valves. Pneumatic actuator operated valves can easily tolerate heavy loads, and are easily available and inexpensive too. Our products meet a wide range of users from different fields in fossil & cogeneration power, nuclear, refining, petrochemicals, pulp & paper, LNG & cryogenics, pharma industry.

We are continuously enhancing the ability of our staff and workers to become "customers preferred company." The motto of our organization is to become a "One - stop shop" for our clients and customers. For this, we have fully dedicated staff in each field.

Our management and employees are more passionate about manufacturing quality products and are always striving to improve and to meet the expectations and desires of our clients and customers in the guidance of dedicated and experienced management.

For further clarification of our products & services, Please feel free to contact us.



ISO Certification



Atex Certificate for Micro Limit Switch



Atex Certificate for Solenoid Coil



API Certificate for Ball Valve



API Certificate for Butterfly Valve

# Approval



## Approval

TDS, SGS, MECON, LLOYDS, PDIL, RITES, ONGC, BVIS, UHDE, BHEL, NPCIL, BARC, SAIL, Indian Navy & many more. We have always kept our Design & Development Department on their toes, Even when a product has been positively accepted in the market, We have made changes for the better instead of resting on our laurels. Also we have full fledged in house flow testing facility.

## Organisation Belief

"Customer Is The Top Priority"  
Continuous job training to it's employees and human resource development strengths have given a loyal, trained workforce with great motivation. We have a network of service and sales operations by qualified engineers and marketing personnel, by which the nationwide requirements are being fulfilled.

## Reputation

Client's satisfaction with quality, fast action, rates, pre and post sales services.

## Aim

To provide the most economic and quality product under the latest international manufacturing standards.



CE Actuator



CE Ball Valve



CE Ball Valve



CE Micro Limit Switch

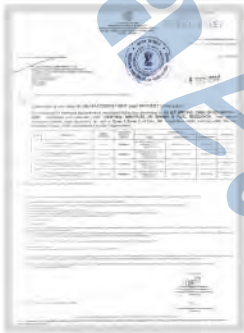


CE Solenoid Coil & Positioner



IBR Certificate

# Approval



CCEO Solenoid Coil



CCEO Solenoid Coil



CCEO Solenoid Coil



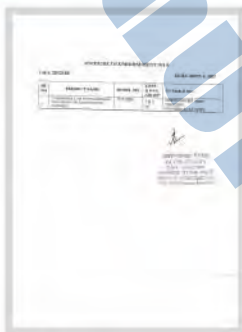
CCEO Solenoid Coil



CCEO IS Solenoid Coil



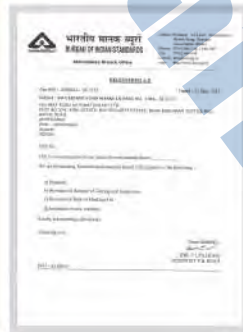
Flameproof Coil



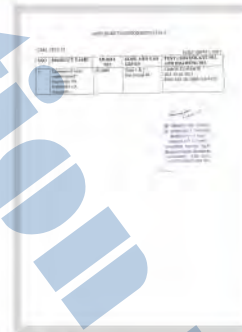
Flameproof Coil



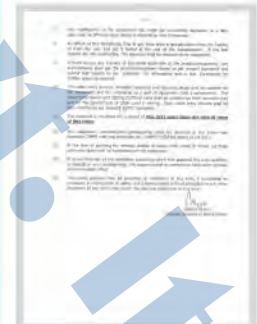
Flameproof Coil



IS - 3000 Coil



Jacketed Ball Valve  
Pattern Registered



DGMS Certificate

# Company Profile



Design Office



Office



Advance Technology CNC & VMC Machine



Assembly Division



Electrical / Pneumatic Testing Panel



Coil Testing Panel

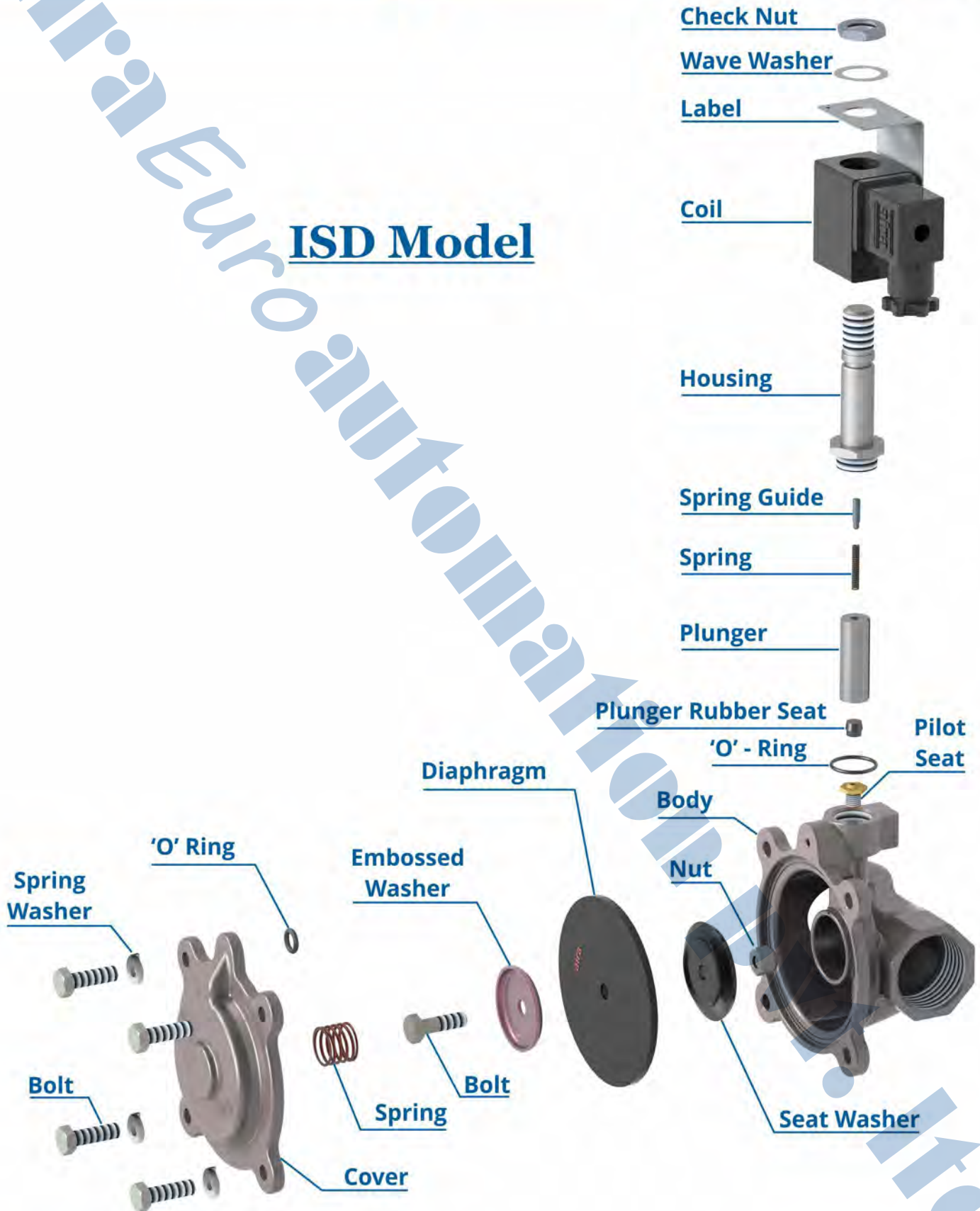
# Index

Sr. No.	Item Name	Page No.
1	"ISD" Model Exploded View	1
2	"GSD" Model Exploded View	2
3	"ISD" 2/2 Way Pilot Operated Solenoid Valve	3
4	"GSD" 2/2 Way Semi Lift Diaphragm Solenoid Valve	4
5	"GTD" 2/2 Way Semi Lift Diaphragm Solenoid Valve	5
6	"SSG" 2/2 Way Semi Lift Diaphragm Solenoid Valve	6
7	"HVS" 2/2 Way Piston Operated Solenoid Valve	7
8	"HPSE" 2/2 Way Piston Operated Solenoid Valve	8
9	"HPQX" 2/2 Way Piston Type Solenoid Valve	9
10	"BSD" 2/2 Way Direct Acting Solenoid Valve	10
11	"SSD" 2/2 Way Pilot Operated Solenoid Valve	11
12	"WSV" 2/2 Way Direct Acting Solenoid Valve	11
13	"AGR - 62" 2/2 Way Direct Acting Solenoid Valve	12
14	"AGR - 41" 2/2 Way Direct Acting Solenoid Valve	12
15	"ASDA" 2/2 Way Angle Type Pulse Valve	13
16	"CSDA" 2/2 Way Stainless Steel Angle Type Pulse Valve	14
17	"ASDD" 2/2 Way Union Type Pulse Valve	15
18	"QSDA" 2/2 Way Angle Type Pulse Valve	16
19	"2SDA" 2/2 Way Angle Type Pulse Valve	17
20	"APDA" 2/2 Way Pilot Operated Pulse Valve	18
21	"EPG" 2/2 Way Globe Type Solenoid Valve	19
22	"DMV" 2/2 Way Midget Type Direct Acting Solenoid Valve	20
23	"DFS" Drum Valve Solenoid Operated	21
24	Flange Dimensions & TC Ends Dimensions Table	22
25	Application	----
26	Network	----

# 2/2 Way Pilot Operated Diaphragm Solenoid Valve



## ISD Model

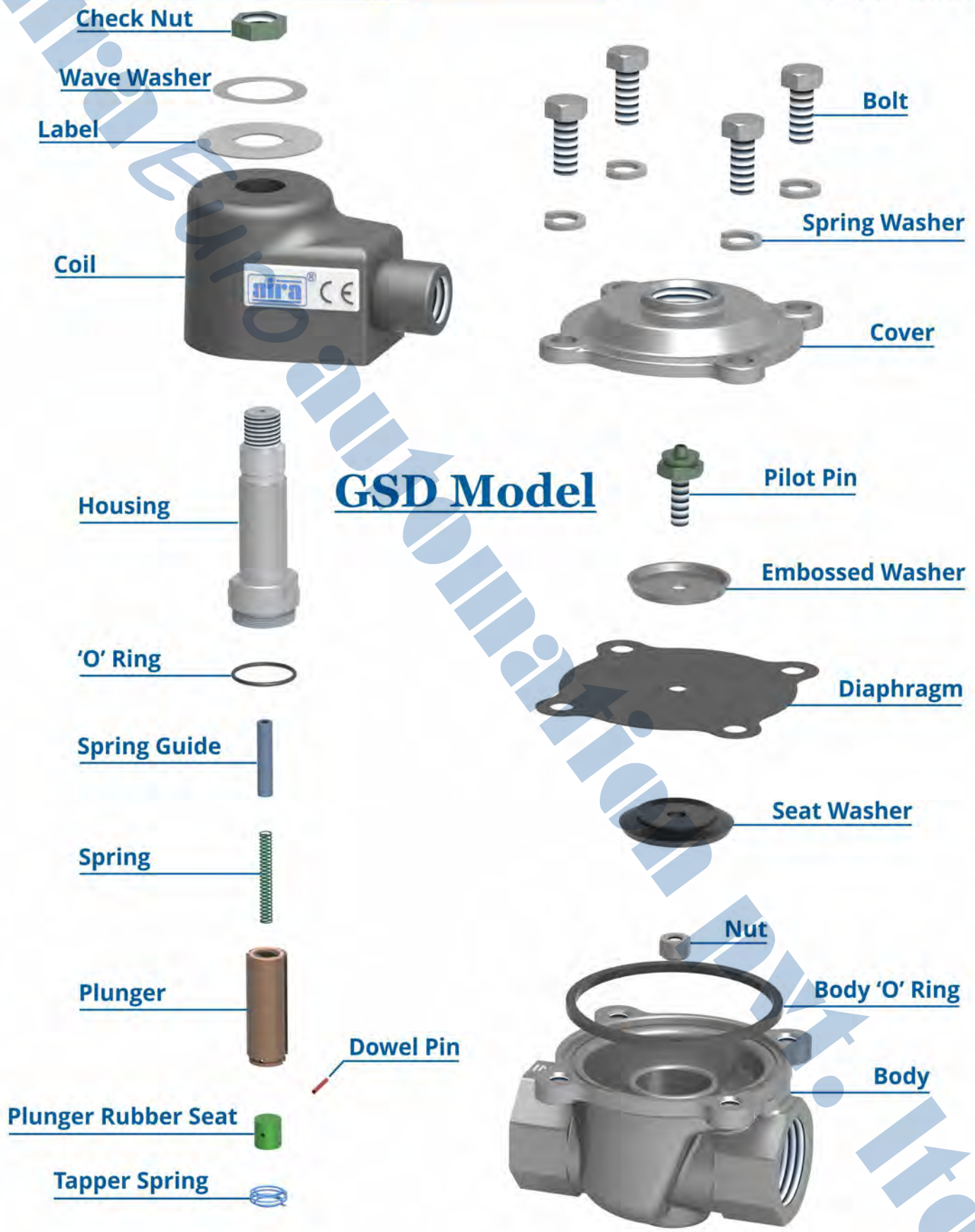


Pub. On : May, 2019





# 2/2 Way Semi Lift Diaphragm Operated Low Pressure Solenoid Valve



Pub. On : May, 2019



[www.airaindia.com](http://www.airaindia.com) / [www.airaeuro.com](http://www.airaeuro.com)

Note : Since, constant worldwide advancement in technology, We keep our rights reserved to make changes time to time in Technical specifications and Dimensions without prior notice.

# 2/2 Way Pilot Operated Diaphragm Solenoid Valve



"aira" Offers HIGH FLOW Diaphragm type solenoid valves, are specially engineered in the construction of Investment Cast CF8 / CF8M / CF3M body for multiple and long lasting operations. valves for the inflammable media / environment / Flameproof / Explosion Proof solenoid coil are available in such application.

## Size Range : 1/2" to 6" Screwed / Flanged / Triclover End

### Types :

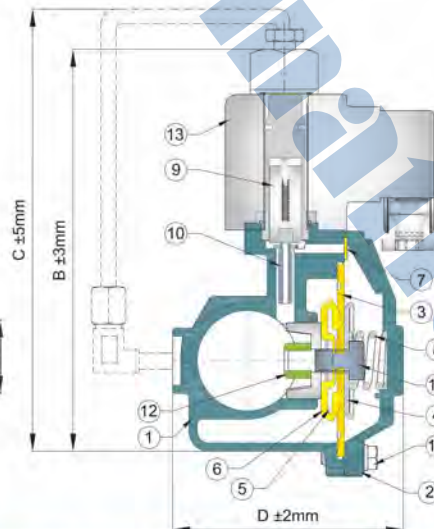
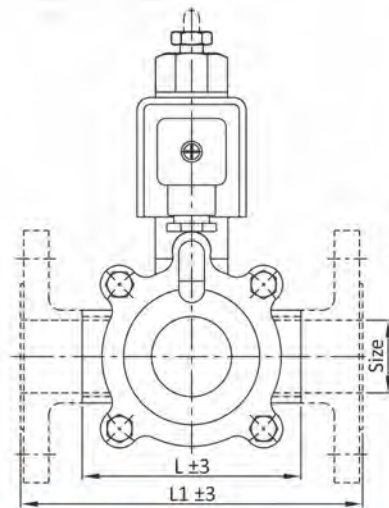
1. Normally Closed - Energised to Open
2. Normally Open - Energised to Close

### Application :

Air, Water, Light Oil, Gas, Light Chemical

Valves Specification	
Pressure	0.5 to 10 Bar
Temperature	-5 °C to 85 °C (Upto 120 °C On Request)
Coil Voltage	12V, 24V, 48V, 110V, 230V AC/DC
Coil Insulation	"F" Class / "H" Class in Flameproof
Coil Encloser	IP 67 (Flame Proof / Explosion Proof as per IS / Meets IEC 60079 - 1 STD for Gas Group II C Zone 1 & 2)
Coil Rating	Continuous Rated
Ends	Screwed / Flanged 150# / TC End

Model : ISD



Sr. No.	Description	Material
1	Body	CF8 / CF8M / CF3M
2	Cover	CF8 / CF8M / CF3M
3	Diaphragm	NBR
4	Embossed Washer	S. S. 304
5	Seat Washer	M. S.
6	Diaphragm Seat	NBR
7	'O' Ring For Cover	NBR
8	Spring	S. S. 304
9	Housing Plunger Set	Std.
10	Pilot Seat	Brass
11	Hex Pin For Diaphragm	S. S.
12	Hex Nut For Diaphragm	S. S.
13	Sole. Coil Casting	Std.
14	Hex Bolt + Washer	S. S.

## Solenoid Coil



(For General)  
2200 Model with Adaptor



(For General)  
2210 Model With Wire Type



Explosion & Flame Proof Coil  
[As per IS / IEC 60079-1 standard approved by Central Institute of Mining and Fuel Research (CIMFR)]

### Dimensions :

Valve Model	Valve Size MM	Valve Size Inch	Flow Factor Kvm <sup>3</sup> /hr	L S / E	L1 F / E	B	C	D	Orifice MM	Weight Approx. S / E	Weight Approx. F / E
ISD - 06	06	1/4"	2.5	66	130	128.5	170	55.5	17	0.800	1.200
ISD - 10	10	3/8"	2.5	66	130	128.5	170	55.5	17	0.800	1.200
ISD - 15	15	1/2"	3.5	66	130	128.5	170	55.5	17	0.800	1.200
ISD - 20	20	3/4"	5.0	80	150	136	175.5	65	20	1.100	1.600
ISD - 25	25	1"	11.0	95	160	153	195	81	25.5	1.400	2.150
ISD - 32	32	1.1/4"	13.0	119	180	163.50	207	98	38	2.000	3.300
ISD - 40	40	1.1/2"	20.0	119	200	163.50	207	98	38	2.000	3.300
ISD - 50	50	2"	38.0	137	230	184.5	229	116	47.4	2.900	5.000
ISD - 65	65	2.1/2"	67.6	172	290	201	---	142.5	65	4.200	7.500
ISD - 80	80	3"	97.6	195	310	237.5	---	158	72	5.900	10.050
ISD - 100	100	4"	---	300	350	284.5	---	206	100	13.950	18.850
ISD - 150	150	6"	---	---	---	---	---	---	---	---	---

Note : Flange Dimensions as per 150#.

(All Dimensions are in mm)

Pub. On : May, 2019



# 2/2 Way Semi Lift Diaphragm Operated Low Pressure Solenoid Valve



"aira" Offers 2/2 way semi Lift, high performance diaphragm type solenoid Valves, for high volume and low pressure application in air, gas, water, vacuum, light oil, corrosive fluids. available in normally close and normally open design.

## Size Range : 3/8" to 4" Screwed / Flanged / Triclover End

Valves Specification	
Pressure Rating	0 to 5 Bar Max. ( 0 to 6 Bar On Request )
Temperature of Fluid	85 °C Max. (High Temperature On Request)
Coil Voltage	12V, 24V, 48V, 110V, 230V, AC/DC
Coil Insulation	"F" & "H" Class Suitable Upto 180 °C
Coil Encloser	IP 67 ( Flame Proof / Explosion Proof as Per IS / Meets IEC 60079-1 STD for Gas Group II C Zone 1 & 2
Coil Ratings	Continuous Rated
Ends	Screwed / Flanged 150# / TC End



Model : GSD

## Technical Specification Table

Valve Size	Orifice	Flow Factor	Min. Pressure	Maximum Operating Pressure ( Bar )						
				AC			DC			
MM	Inch	MM	Kvm <sup>3</sup> /hr	Bar	Air / Gas	Water	Light Oil	Air / Gas	Water	Light Oil
10	3/8"	17	2.6	0	6	4.0	3.0	6	5.0	3.0
15	1/2"	17	3.4	0	6	4.0	3.0	6	5.0	3.0
20	3/4"	20	4.3	0	6	3.5	3.0	6	4.0	3.0
25	1"	25.5	10.3	0	6	3.5	2.0	6	4.0	2.5
40	1.1/2"	38	19.3	0	5	3	2.0	5	4.0	2.0
50	2"	47.5	32.5	0	4	3	2.0	4	3.0	2.0

## Suitable For

Autoclaves, Gas burning equipments, Oil centrifuge plants, Vacuum plants, Pump seal water application, Low pressure water circulation system, solar heating systems, Gas generator etc...

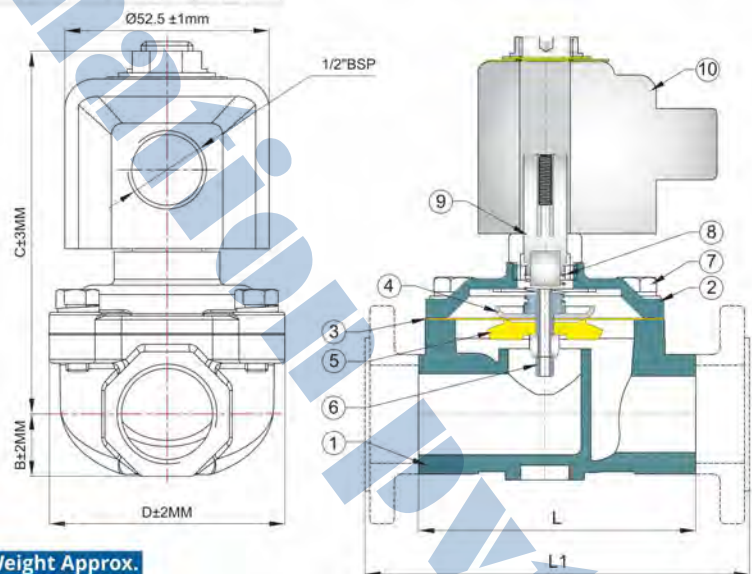
## Solenoid Coil



Weatherproof Coil



Explosion & Flame Proof Coil  
[As per IS / IEC 60079-1 standard approved by Central Institute of Mining and Fuel Research (CIMFR)]



## Dimensions :

Valve Model	Valve Size		L S / E	L1 F / E	B	C	D	Weight Approx.	
	MM	Inch						S / E	F / E
GSD - 10	10	3/8"	65.5	130	16	112	57	1.050	1.500
GSD - 15	15	1/2"	65.5	130	16	112	57	1.000	1.400
GSD - 20	20	3/4"	80	150	19.5	113	67	1.200	1.700
GSD - 25	25	1"	97	160	29	121	82	1.500	2.250
GSD - 40	40	1.1/2"	119	200	38	132	99	2.050	3.350
GSD - 50	50	2"	137	230	39	146	120	3.100	5.200
GSD - 65	65	2.1/2"	172	290	56	166.5	143	4.600	9.400
GSD - 80	80	3"	195	310	57	166	185	6.550	10.050
GSD - 100	100	4"	300	350	79	195	215.5	13.450	18.850

Note : Flange Dimensions as per 150#. (All Dimensions are in mm)

Sr. No.	Description	Material
1	Body	CF8 / CF8M / CF3M
2	Cover	CF8 / CF8M / CF3M
3	Diaphragm	NBR (Viton On Request)
4	Embossed Washer	S.S. 304
5	Diaphragm Seat	NBR
6	Pilot Pin + Nut	S.S. 304
7	Hex Bolt + Washer	S.S.
8	Taper Spring	S.S. 304
9	Housing Set	STD.
10	Sol. Coil Body	STD.

Pub. On : May, 2019



www.airaindia.com / www.airaeuro.com

Note : Since, constant worldwide advancement in technology, We keep our rights reserved to make changes time to time in Technical specifications and Dimensions without prior notice.

# 2/2 Way Semi Lift Diaphragm Operated Low Pressure Solenoid Valve



"aira" Offers 2/2 way semi Lift, high performance diaphragm type solenoid Valves, for high volume and low pressure application in air, gas, water, vacuum, light oil, corrosive fluids. available in normally close and normally open design.

## Size Range : 3/8" to 4" Screwed / Flanged / Triclover End

Valves Specification	
Pressure Rating	0 to 5 Bar Max. ( 0 to 6 Bar On Request )
Temperature of Fluid	180 °C Max. ( High Temperature On Request )
Coil Voltage	12V, 24V, 48V, 110V, 230V, AC/DC
Coil Insulation	"F" & "H" Class Suitable Upto 180 °C
Coil Encloser Meets	IP 67 ( Flame Proof / Explosion Proof as Per IS / IEC 60079-1 STD for Gas Group II C Zone 1 & 2
Coil Ratings	Continuous Rated
Ends	Screwed / Flanged 150# / TC End

**Model : GTD**

### Suitable For

Autoclaves, Gas burning equipments, Oil centrifuge plants, Vacuum plants, Pump seal water application, Low pressure water circulation system, solar heating systems, Gas generator etc...

### Solenoid Coil



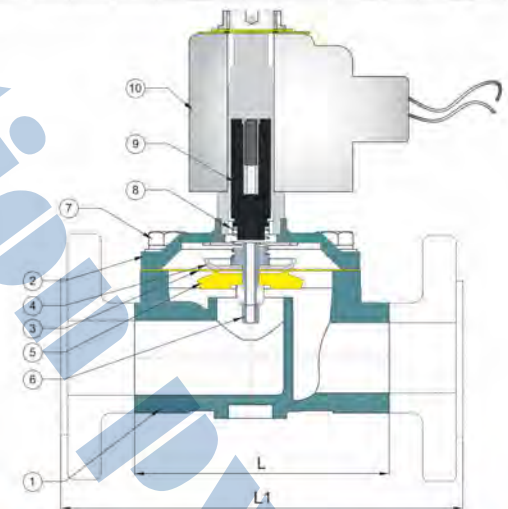
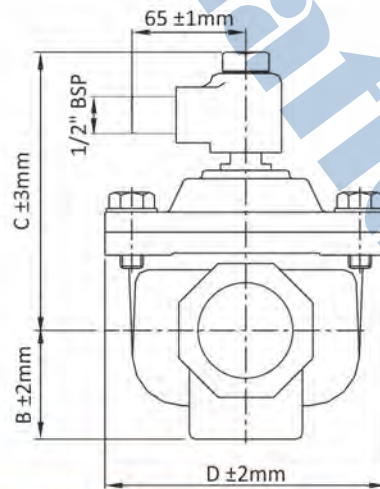
Weatherproof Coil



Explosion & Flame Proof Coil [As per IS / IEC 60079-1 standard approved by Central Institute of Mining and Fuel Research (CIMFR)]

### Technical Specification Table

Valve Size	Orifice	Flow Factor	Min. Pressure	Maximum Operating Pressure ( Bar )						
				AC			DC			
MM	Inch	MM	Kvm <sup>3</sup> /hr	Bar	Air / Gas	Water	Light Oil	Air / Gas	Water	Light Oil
10	3/8"	17	2.6	0	6	4.0	3.0	6	5.0	3.0
15	1/2"	17	3.4	0	6	4.0	3.0	6	5.0	3.0
20	3/4"	20	4.3	0	6	3.5	3.0	6	4.0	3.0
25	1"	25.5	10.3	0	6	3.5	2.0	6	4.0	2.5
40	1.1/2"	38	19.3	0	5	3	2.0	5	4.0	2.0
50	2"	47.5	32.5	0	4	3	2.0	4	3.0	2.0



### Dimensions :

Valve Model	Valve Size		L S / E	L1 F / E	B	C	D	Weight Approx.	
	MM	Inch						S / E	F / E
GTD - 10	10	3/8"	65.5	130	16	112	57	1.050	1.500
GTD - 15	15	1/2"	65.5	130	16	112	57	1.000	1.400
GTD - 20	20	3/4"	80	150	19.5	113	67	1.200	1.700
GTD - 25	25	1"	97	160	29	121	82	1.500	2.250
GTD - 40	40	1.1/2"	119	200	38	132	99	2.050	3.350
GTD - 50	50	2"	137	230	39	146	120	3.100	5.200
GTD - 65	65	2.1/2"	172	290	56	166.5	143	4.600	9.400
GTD - 80	80	3"	195	310	57	166	185	6.550	10.050
GTD - 100	100	4"	300	350	79	195	215.5	13.450	18.850

Note : Flange Dimensions as per 150#. (All Dimensions are in mm)

Sr. No.	Description	Material
1	Body	CF8 / CF8M / CF3M
2	Cover	CF8 / CF8M / CF3M
3	Diaphragm	PTFE
4	Embossed Washer	S.S. 304
5	Diaphragm Seat	PTFE
6	Pilot Pin + Nut	S.S. 304
7	Hex Bolt + Washer	S.S.
8	Taper Spring	S.S. 304
9	Housing Set	STD.
10	Sol. Coil Body	STD.

Pub. On : May, 2019



www.airaindia.com / www.airaeuro.com



Note : Since, constant worldwide advancement in technology, We keep our rights reserved to make changes time to time in Technical specifications and Dimensions without prior notice.

# 2/2 Way Semi Lift Diaphragm Operated Solenoid Valve



"aira" Offers 2/2 Way Semi Pilot, high performance diaphragm type solenoid valve, for high volume and low pressure application in Air, Gas, Water, Vacuum, Light oil, Corrosive Fluids available in normally closed & normally open design.

## Size Range : 1/2" to 2" Screwed / Flanged / Triclover End

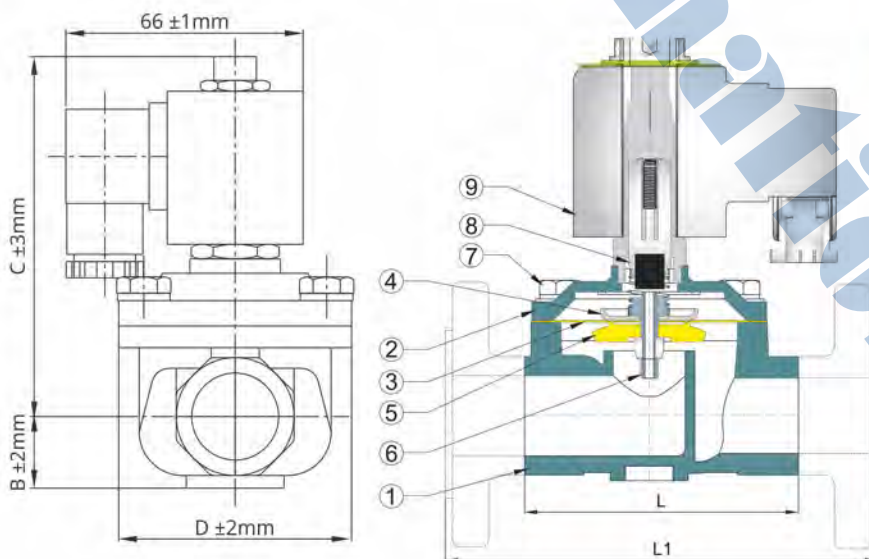
Valves Specification	
Pressure	0 to 2 Bar
Temperature	Upto 85 °C (High Temperature On Request)
Coil Voltage	12V, 24V, 48V, 110V, 230V, AC/DC
Coil Insulation	"F" Class / "H" Class for Flameproof
Coil Encloser	IP 67 ( Flame Proof / Explosion Proof as Per IS / Meets IEC 60079-1 STD for Class II A, II B, II C Zone
Coil Rating	Continuous Rated
Ends	S/E, F/E 150# / TC End
Media	Air, Gas, Water, Light Oil, Vacuum & Corrosive

### Caution

- Suitable for Dry Steam
- Hot water temperature limited up to 180 °C only
- Avoid Back Pressure
- INSTALLATION OF "FILTER" IN INLET SIDE IS HIGHLY RECOMMENDED



Model : SSG



### Solenoid Coil

<b>A</b>		(For General) 2200 Model with Adaptor
<b>B</b>		(For General) 2210 Model With Wire Type
<b>C</b>		Explosion & Flame Proof Coil [As per IS / IEC 60079-1 standard approved by Central Institute of Mining and Fuel Research (CIMFR)]

Sr. No.	Description	Description
1	Body	CF8 / CF8M / CF3M
2	Cover	CF8 / CF8M / CF3M
3	Diaphragm	NBR
4	Embossed Washer	S. S. 304
5	Diaphragm Seat	NBR
6	Pilot Pin + Nut	S. S.304
7	Hex Bolt + Washer	S. S.
8	Housing Set	STD.
9	Solenoid Coil	STD.

### Dimensions :

Valve Model	Valve Size		L	L1	B	C	D	Weight Approx.	
	MM	Inch						S / E	F / E
SSG - 15	15	1/2"	65	130	14	99.5	57	0.700	1.500
SSG - 20	20	3/4"	80	150	20.0	102.5	68.0	1.000	2.100
SSG - 25	25	1"	97	160	26.5	110	82.0	1.400	2.900
SSG - 40	40	1.1/2"	118	200	34.0	124	112.5	2.150	4.950
SSG - 50	50	2"	137	230	38.0	136	120	3.000	7.350

Note : Flange Dimensions as per 150#.

(All Dimensions are in mm)

Pub. On : May, 2019



www.airaindia.com / www.airaeuro.com

# 2/2 Way Semi Lift Diaphragm Operated Low Pressure Solenoid Valve



**Model : HVS**

"aira" Offers HIGH FLOW piston type solenoid valves, are specially engineered in the construction of Investment Cast CF8 / CF8M / CF3M body for multiple and long lasting operations, especially in STEAM & HIGH Temperature FLUIDS. Valves for the inflammable media / environment / Flameproof / Explosion Proof solenoid coil are available in such application.

## Size Range : 1/4" to 4" Screwed / Flanged / Triclover End

Valves Specification	
Pressure	15 PSI to 180 PSI
Temperature	Upto 180 °C
Coil Voltage	12V, 24V, 48V, 110V, 230V, AC/DC
Coil Insulation	"H" Class Suitable Upto 180 °C
Coil Encloser Meets	IP 67 ( Flame Proof / Explosion Proof as Per IS / IEC 60079-1 STD for Gas Group II C Zone 1 & 2
Coil Rating	Continuous Rated
Ends	S/E, F/E 150# / TC End
Media	Hot Water / Steam / High Temperature Fluids

### Caution

- Suitable for Dry Steam
- Hot water temperature limited up to 180 °C only
- Avoid Back Pressure
- INSTALLATION OF "FILTER" IN INLET SIDE IS HIGHLY RECOMMENDED

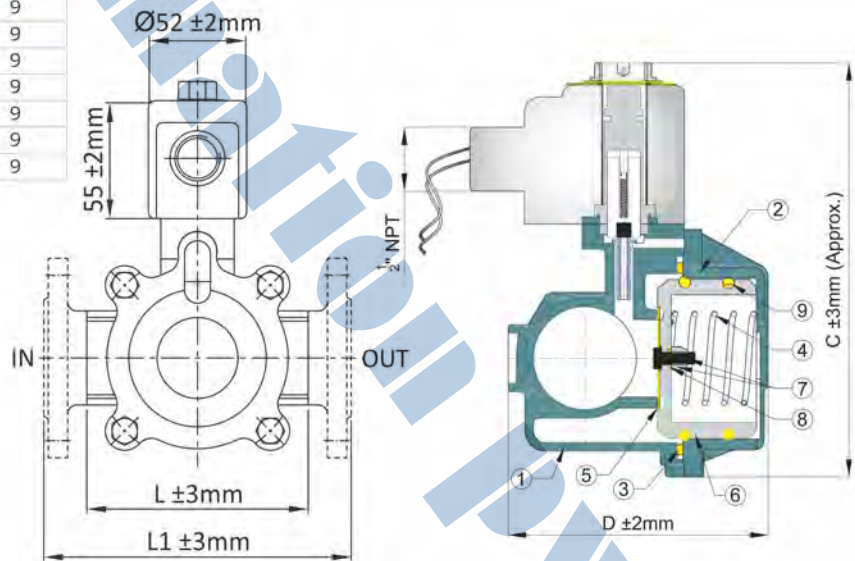
### Technical Specification Table

Valve Size		Orifice MM	Flow Factor Kvm <sup>3</sup> /hr	Min. Pressure Bar	Maximum Operating Pressure ( Bar )	
MM	Inch				Hot Water	Steam
06	1/4"	17	2.8	1	9	9
10	3/8"	17	3.4	1	9	9
15	1/2"	17	4	1	9	9
20	3/4"	20	7	1	9	9
25	1"	25.5	12	1	9	9
32	1.1/4"	38	15	1	9	9
40	1.1/2"	38	23	1	9	9
50	2"	47.5	38	1	9	9

### Solenoid Coil



Explosion & Flame Proof Coil [As per IS / IEC 60079-1 standard approved by Central Institute of Mining and Fuel Research (CIMFR)]



### Dimensions :

Valve Model	Valve Size		L S / E	L1 F / E	C Approx.	D	Weight Approx.	
	MM	Inch					S / E	F / E
HVS - 6	6	1/4"	65.50	130	139.50	69	1.250	1.650
HVS - 10	10	3/8"	65.50	130	139.50	69	1.250	1.650
HVS - 15	15	1/2"	65.50	130	139.50	69	1.250	1.650
HVS - 20	20	3/4"	80	150	148	80	1.600	2.100
HVS - 25	25	1"	95	160	163	96	2.050	2.800
HVS - 32	32	1.1/4"	119	180	176	114	2.900	4.200
HVS - 40	40	1.1/2"	119	200	176	114	2.900	4.200
HVS - 50	50	2"	137	230	195	132	4.050	6.150

Note : Flange Dimensions as per 150#. (All Dimensions are in mm)

Sr. No.	Description	Description
1	Body	CF8 / CF8M / CF3M
2	Cover	CF8 / CF8M / CF3M
3	Body Ring	PTFE
4	Spring	S.S. 304
5	Piston Washer	PTFE
6	Piston	CF8 / CF8M / CF3M
7	Piston Bolt + Nut	S.S.304
8	O-Ring	Viton
9	Piston Ring	C.F.T.

Pub. On : May, 2019



[www.airaindia.com](http://www.airaindia.com) / [www.airaeuro.com](http://www.airaeuro.com)



Note : Since, constant worldwide advancement in technology, We keep our rights reserved to make changes time to time in Technical specifications and Dimensions without prior notice.

# 2/2 Way Piston Type Operated High Pressure Solenoid Valve



"aira" Offers High Pressure piston type solenoid valves, are specially engineered in the construction of Investment Cast CF8 / CF8M / CF3M body for multiple and long lasting operations, especially for HIGH PRESSURE FLUIDS valves for the inflammable media / environment / Flameproof / Explosion Proof solenoid coil are available in such application.

## Size Range : 1/4" to 2" Screwed / Flanged

Valves Specification	
Pressure	2 to 40 Bar
Temperature	90 °C
Coil Voltage	12V, 24V, 48V, 110V, 230V, AC/DC
Coil Insulation	"H" Class Suitable Upto 180 °C
Coil Encloser	IP 67 ( Flame Proof / Watharprof / Explosion Proof as Per IS / IEC 60079-1 STD for Gas Group II C Zone 1 & 2
Coil Rating	Continuous Rated
Ends	Screwed / Flanged 150#
Media	Hot Water / LD Oil / Air / Water / Corrosive Media

**Pressure upto 40 bar**



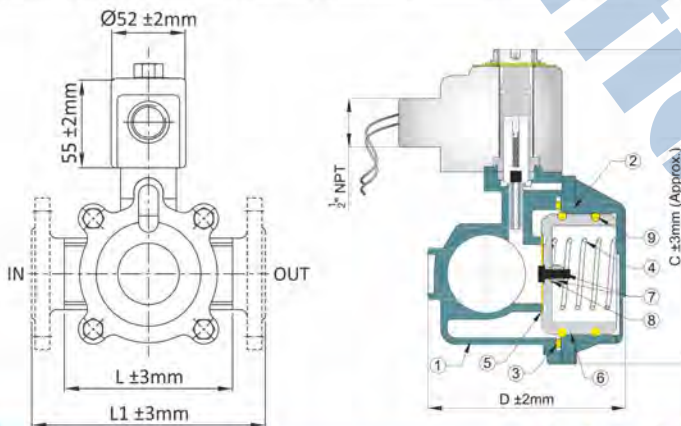
## Technical Specification Table

Valve Size		Orifice MM	Flow Factor Kvm <sup>3</sup> /hr	Min. Pressure Bar	Maximum Operating Pressure ( Bar )					
MM	Inch				AC			DC		
				Air / Gas		Water	Air / Gas		Water	Light Oil
06	1/4"	17	1.8	2	28	26	24	28	26	24
10	3/8"	17	2.6	2	28	26	24	28	26	24
15	1/2"	17	3.4	2	28	26	24	28	26	24
20	3/4"	20	5.2	2	32	28	24	32	28	24
25	1"	25.5	8.5	2	34	28	17	34	28	17
32	1.1/4"	38	14.0	2	34	25	17	34	25	17
40	1.1/2"	38	17.3	2	34	25	22	34	25	22
50	2"	47.5	30.5	2	30	25	22	30	25	22

**Model : HPSE**

## Caution

- Do not use in steam media
- Max. Temp. 90 °C for Hot Water
- Avoid Back Pressure
- INSTALLATION OF "FILTER" IN INLET SIDE IS HIGHLY RECOMMENDED



Sr. No.	Description	Material
1	Body	CF8 / CF8M / CF3M
2	Cover	CF8 / CF8M / CF3M
3	Body Ring	PTFE
4	Spring	S.S. 304
5	Piston Washer	PTFE
6	Piston	CF8 / CF8M / CF3M
7	Piston Bolt + Nut	S.S.304
8	O-Ring	Viton
9	Piston Ring	C.F.T.

## Dimensions :

Valve Model	Valve Size		L S / E	L1 F / E	C Approx.	D	Weight Approx.	
	MM	Inch					S / E	F / E
HPSE - 6	6	1/4"	65.50	130	139.50	69	----	----
HPSE - 10	10	3/8"	65.50	130	139.50	69	----	----
HPSE - 15	15	1/2"	65.50	130	139.50	69	1.250	1.650
HPSE - 20	20	3/4"	80	150	148	80	1.600	2.100
HPSE - 25	25	1"	95	160	163	96	2.050	2.800
HPSE - 32	32	1.1/4"	119	180	176	114	2.900	4.200
HPSE - 40	40	1.1/2"	119	200	176	114	2.900	4.200
HPSE - 50	50	2"	137	230	195	132	4.050	6.150

Note : Flange Dimensions as per 150#. (All Dimensions are in mm)

## Solenoid Coil



Weatherproof Coil



Explosion & Flame Proof Coil [As per IS / IEC 60079-1 standard approved by Central Institute of Mining and Fuel Research (CIMFR)]

Pub. On : May, 2019



www.airaindia.com / www.airaeuro.com

# 2/2 Way Piston Type Operated High Pressure Solenoid Valve



"aira" Offers High Pressure piston type solenoid valves. are specially engineered in the construction of Investment Cast CF8 / CF8M body for multiple and long lasting operations, especially for HIGH PRESSURE FLUIDS

## Size Range : 1/4" to 2" Screwed / Flanged

Valves Specification	
Pressure	2 to 110 Bar
Temperature	-5 °C to 85 °C (Upto 120 °C On Request)
Coil Voltage	12V, 24V, 48V, 110V, 230V AC/DC
Coil Insulation	"H" Class
Coil Encloser Meets	IP 67 (Flame Proof / Explosion Proof as Per IS / IEC 60079 - 1 Std for Gas Group II C Zone 1 & 2)
Coil Rating	Continuous Rated
Ends	Screwed / Flanged 150#
Media	Hot Water / LD Oil / Air / Water / Corrosive Media

Model : HPQX

Pressure upto 110 bar

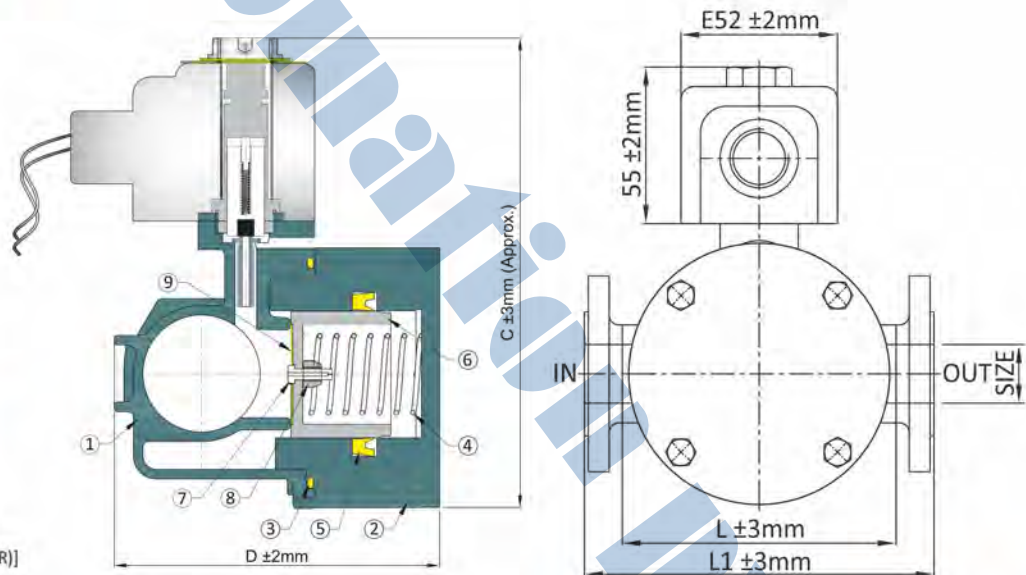
## Solenoid Coil



Weatherproof Coil



Explosion & Flame Proof Coil [As per IS / IEC 60079-1 standard approved by Central Institute of Mining and Fuel Research (CIMFR)]



## Dimensions :

Valve Model	Valve Size		L S / E	L1 F / E	C Approx.	D	Weight Approx.	
	MM	Inch					S / E	F / E
HPQX - 6	6	1/4"	65.50	130	139.50	65	----	----
HPQX - 10	10	3/8"	65.50	130	139.50	65	----	----
HPQX - 15	15	1/2"	65.50	130	139.50	65	2.042	----
HPQX - 20	20	3/4"	80	150	148	75.50	2.665	----
HPQX - 25	25	1"	95	160	163	87	3.665	----
HPQX - 32	32	1.1/4"	119	180	176	108	6.000	----
HPQX - 40	40	1.1/2"	119	200	176	108	5.895	----
HPQX - 50	50	2"	137	230	195	124	9.810	----

Note : Flange Dimensions as per 150#. (All Dimensions are in mm)

Sr. No.	Description	Description
1	Body	CF8 / CF8M / CF3M
2	Cover	S.S.304 / S.S.316
3	Body Seat	PTFE
4	Spring	S.S.304
5	V-Seal	VITON
6	Piston	S.S.304 / S.S.316
7	Piston Bolt	S. S. 304
8	Piston nut	S. S. 304
9	Piston Washer	PEEK

Pub. On : May, 2019



www.airaindia.com / www.airaeuro.com



Note : Since, constant worldwide advancement in technology, We keep our rights reserved to make changes time to time in Technical specifications and Dimensions without prior notice.



# 2/2 Way Direct Acting Solenoid Valve

"aira" Offers solenoid valves are the best for the inflammable media. The Flame Proof Explosion proof solenoid coil are available in such application.

## Size Range : 1/4", 3/8" to 1/2" Screwed

### Types :

1. Normally Closed - Energised to Open
2. Normally Open - Energised to Close

**Group - I :** Suitable for 0 to 10 Kg/cm<sup>2</sup>

**Group - II :** Suitable for 2, 10, 35 & 70 Kg/cm<sup>2</sup>

- Compact design light weight & long durability
- Constructed from advanced technology & design.
- Easy installation, universal mounting



Model : BSD



Model : BBC-II

Valves Specification	
Temperature of Fluid	-5 °C to 85 °C (High Temperature On Request)
Coil Voltage	12V, 24V, 48V, 110V, 230V AC / DC
Media	Air / Gas/ Oil / Water / Chemical

### Technical Specification Table

Group	Model	Type	Size	Position	Orifice	Pressure
Group - I	BSD - I	2/2 Way	1/4", 1/2"	N/C & N/O	2.5mm	10Kg
Group - I	BUD - I	3/2 Way	1/4", 1/2"	N/C & N/O	1.2mm	10Kg
Group - II	BBC - II	2/2 Way	1/4", 3/8", 1/2"	N/C & N/O	4mm	10Kg
Group - II	BBC - II	2/2 Way	1/4", 3/8", 1/2"	N/C & N/O	2.2mm	35Kg
Group - II	BBC - II	2/2 Way	1/4", 3/8", 1/2"	N/C & N/O	1.2mm	70Kg
Group - II	BBC - II	2/2 Way	1/2"	N/C & N/O	1.5mm	2Kg
Group - II	BBS - II	3/2 Way	1/4", 3/8", 1/2"	N/C	4mm	10Kg
Group - II	BBS - II	3/2 Way	1/4", 3/8", 1/2"	N/C	2.2mm	35Kg

Sr. No.	Description	Description
1	Body	Brass / CF8
2	Solenoid Coil Casting	Std.
3	Housing	Std.
4	'O' - Ring	NBR / Viton
5	Spring	S. S. 304

### Dimensions :

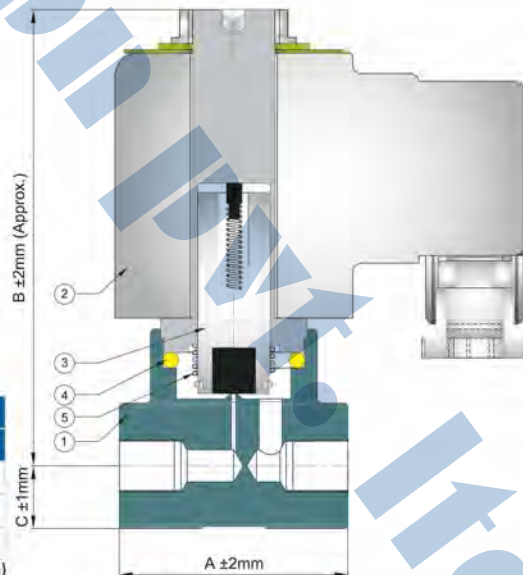
SIZE		Group-I			
MM	Inch	A	B	C	Weight
6	1/4"	41	75	9	0.400
10	3/8"	---	---	---	---
15	1/2"	50	82	13	0.300

(All Dimensions are in mm)

### Dimensions :

SIZE		Group-II			
MM	Inch	A	B	C	Weight
6	1/4"	50	100	14	0.950
10	3/8"	50	100	14	0.900
15	1/2"	50	100	14	0.900

(All Dimensions are in mm)



Pub. On : May, 2019



# 2/2 Way Pilot Operated Diaphragm Solenoid Valve

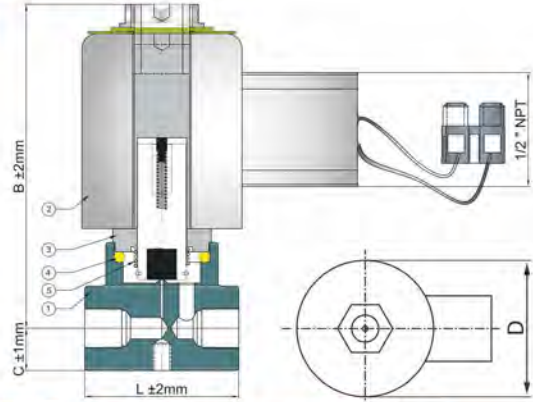


Model : SSD

"aira" Offers 2/2 way direct acting solenoid valves are the best for the inflammable media. The Flameproof Explosion proof solenoid coils are available in such application.

## Size Range : 1/4" to 1/2" Screwed

Valves Specification	
Pressure	0 to 12 Kg/cm <sup>2</sup>
Temperature	Upto 150 °C
Port Size	2.5 mm
End Connection	Screwed End (BSP)
Coil Voltage	12V, 24V, 48V, 110V, 230V, AC/DC
Coil Insulation	Class "H"
Media	Oil / Water / Chemical / Steam / Hot Water



### Dimensions :

Valve Model	Valve Size		L	B	C	D	Weight (Approx) Kgs.
	MM	Inch					
SSD - 6	6	1/4"	40	71.5	13	51.9	0.450
SSD - 10	10	3/8"	On Request				
SSD - 15	15	1/2"	50	100	14	51.9	0.450

(All Dimensions are in mm)

No.	Description	Material
1	Body	Brass, CF8
2	Solenoid Coil	STD.
3	Housing Set	STD.
4	'O' - Ring	Viton
5	Spring	S. S. 304

# 2/2 Way Pilot Operated Direct Acting Solenoid Valve

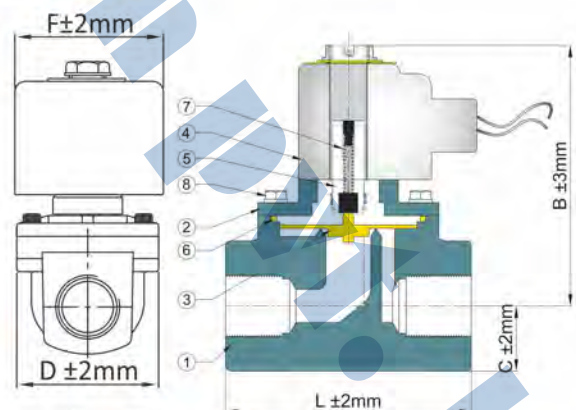


Model : WSV

"aira" Offers For Steam and hot water application upto 10 bar pressure NORMALLY CLOSED, ENERGISED TO OPEN

## Size Range : 1/2" to 3/4" Screwed

Valves Specification	
Model	WSV
Pressure	0 to 9 Kg/cm <sup>2</sup>
Temperature	85 °C
Coil Voltage	12V, 24V, 48V, 110V, 230V, AC/DC
Coil Insulation	Class "F"
End Connection	Screwed End (BSP)



No.	Description	Material
1	Body	CF8 / CF8M
2	Cover	CF8 / CF8M
3	Diaphragm	Glass Field Seat
4	Solenoid Coil	STD.
5	Housing Set	STD.
6	'O' - Ring	Viton
7	Spring	S. S. 304
8	Cover Fitting + Bolt with Washer	S. S.

### Dimensions :

Valve Model	Valve Size		L	B	C	D	Weight (Approx) Kgs.
	MM	Inch					
WSV - 15	15	1/2"	49	80	15.50	40	0.450
WSV - 20	20	3/4"	65	100	17	51	0.550

(All Dimensions are in mm)

Pub. On : May, 2019



# 2/2 Way Direct Acting Solenoid Valve



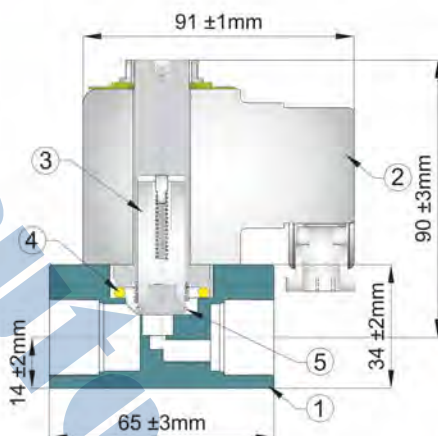
"aira" Offers 2/2 way direct acting solenoid valves are the best for the inflammable media. The Flameproof Explosion proof solenoid coils are available in such application.

## Size Range : 1/2" Screwed

Valves Specification	
Model	AGR - 62
Pressure	0 to 2.5 Kg/cm <sup>2</sup>
Temperature	Upto 85 °C
Orifice	6 mm
End Connection	Screwed End (BSP)
Coil Voltage	12V, 24V, 48V, 110V, 230V, AC/DC
Coil Insulation	Class "F"

Types : Normally Closed

Sr. No.	Description	Description
1	Body	Aluminium / Brass / CF8
2	Solenoid Coil	Std.
3	Housing Set	Std.
4	'O' Ring	Viton
5	Spring	S. S. 304



- Compact design light weight & long durability.
- Constructed from advance technology & design.
- 600 Operation per minute.
- Easy installation, Universal mounting.

# 2/2 Way Direct Acting Solenoid Valve

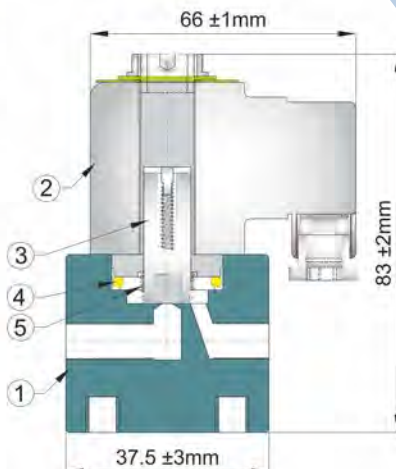


"aira" Offers 2/2 way direct acting solenoid valves are the best for the inflammable media. The Flameproof Explosion proof solenoid coils are available in such application.

## Size Range : 1/2" Screwed

Valves Specification	
Model	AGR - 41
Pressure	0 to 6 Kg/cm <sup>2</sup>
Temperature	Upto 85 °C
Orifice	6 mm
End Connection	Screwed End (BSP)
Coil Voltage	12V, 24V, 48V, 110V, 230V, AC/DC
Coil Insulation	Class "F"

Sr. No.	Description	Description
1	Body	Aluminium / Brass / CF8
2	Solenoid Coil	Std.
3	Housing Set	Std.
4	'O' Ring	Viton
5	Spring	S. S. 304



Pub. On : May, 2019



[www.airaindia.com](http://www.airaindia.com) / [www.airaeuro.com](http://www.airaeuro.com)

# 2/2 Way Angle Type Dust Collector Pulse Valve



Model : ASDA

"aira" Offers high performance diaphragm operated pulse and pilot solenoid valves with threaded ports. Available with integral pilot or as remotely pilot valves. Out let at 90° to inlet. The pulse valves have just one moving part, the Springless construction of diaphragm providing fast ON-OFF operation. This high speed operation saves compressed air and provides kind of shock wave necessary to free the dust from filter bags.

## Size Range : 1/2" to 1.1/2" Screwed

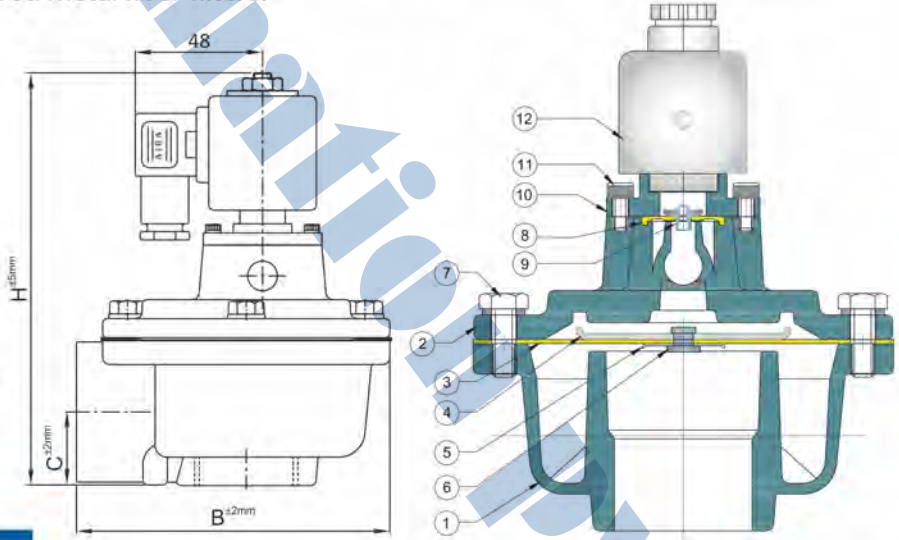
Valves Specification	
Pressure Rating	0.6 to 8.5 Bar Max
Temperature	Rated for 80 °C max. ( For high temperature upto 125 °C Viton Diaphragm with Viton seat can be provide )
Coil Voltage	12V, 24V, 48V, 110V, 230V, AC/DC
Coil Insulation	"F" Class & "H" Class in Flameproof
Coil Encloser	IP 67 ( Flame Proof / Explosion Proof as Per IS / IEC - 60079-1
Meets	STD for Gas Group II C Zone 1 & 2
Coil Rating	Continuous Rated

## Suitable For

Dust collector application, in particular for reverse pulse jet filter cleaning including bag filters, cartridge filter, envelope filters, ceramic filters and sintered metal fiber filters.

## Solenoid Coil

- A**  (For General) 2200 Model with Adaptor
- B**  (For General) 2210 Model With Wire Type
- C**  Explosion & Flame Proof Coil [As per IS / IEC 60079-1 standard approved by Central Institute of Mining and Fuel Research (CIMFR)]



Sr.No.	Description	Material
1	Body	Aluminum
2	Cover	Aluminum
3	Diaphragm	NBR
4	Big Washer	S.S. 304
5	Small Washer	S.S. 304
6	Riveting Pin	S.S. 304
7	Hex Bolt + Washer	S.S
8	Small Diaphragm	NBR
9	Diaphragm Pin	Brass
10	Adapter	Aluminum
11	Hex Bolt + Washer	S.S.
12	Coil	STD.

## Dimensions :

Valve Model	Valve Size		Orifice	B	C	H	Weight Approx.
	MM	Inch					
ASDA - 15	15	1/2"	29	89.5	24	134	0.700
ASDA - 20	20	3/4"	29	89.5	24	134	0.650
ASDA - 25	25	1"	29	89.5	23	134	0.600
ASDA - 40	40	1.1/2"	50	128	30.5	169	1.350
2SDA - 40	40	1.1/2"	50	128	30.5	165.5	1.500

(All Dimensions are in mm)

Pub. On : May, 2019



# 2/2 Way Angle Type Stainless Steel Pulse Valve



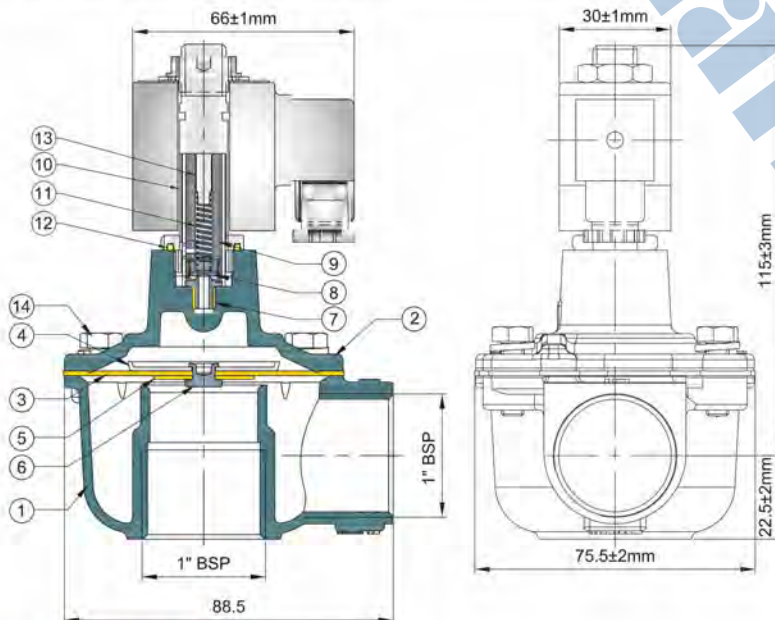
"aira" Offers The Stainless Steel is a range of diaphragm valves suitable for dust collector applications, in particular for reverse pulse-jet filter cleaning of filter bags, cartridges, envelope filters, ceramic filters and sintered metal fibre filters. The valve has the inlet port at 90° to the outlet port. The range includes which comprises a 1" size valve. models have a single diaphragm. The inlet and outlet ports have threaded female gas connections. These valves are particularly appropriate for installation in aggressive environments where there is risk of corrosion. Chemical processes, off-shore refineries and plants, and nuclear environments are just some typical applications where the valve in stainless steel can be mounted. With a special diaphragm, stainless steel valve can also be installed in special environments including, Pharmaceutical, Food and Grain, Wheat and Flour, and in any other environment where food or Medical Grade is required.



Model : CSDA

## Size Range : 1" Screwed

Valves Specification	
Pressure Rating	0.6 to 8.5 Bar Max
Temperature	Rated for 80 °C max. ( For high temperature upto 125 °C Viton Diaphragm with Viton seat can be provide )
Coil Voltage	12V, 24V, 48V, 110V, 230V, AC/DC
Coil Insulation	"F" Class & "H" Class in Flameproof
Coil Encloser	IP 67 ( Flame Proof / Explosion Proof as Per IS / IEC - 60079-1
Meets	STD for Gas Group II C Zone 1 & 2
Coil Rating	Continuous Rated



Sr.No.	Description	Material
1	Body	CF8 / CF8M / CF3M
2	Cover	CF8 / CF8M / CF3M
3	Diaphragm	PU / Nitrile / Neoprene
4	Embossed Washer	S. S. 304
5	Washer For Seat	S. S. 304
6	Pin For Diaphragm	S. S. 304
7	Pilot Seat	Brass
8	Plunger Seat	Viton
9	Plunger	STD.
10	Housing	STD.
11	Plunger Spring	S. S. 304
12	Housing 'O' - Ring	NBR
13	Pin For Plunger Spring	Brass
14	Fitting Bolt + Washer	S. S. 304

## Solenoid Coil



(For General)  
2200 Model with  
Adaptor



(For General)  
2210 Model With  
Wire Type



Explosion & Flame Proof Coil  
[As per IS / IEC 60079-1 standard  
approved by Central Institute  
of Mining and Fuel Research  
(CIMFR)]

Pub. On : July 2018 (Rev-01)



www.airaindia.com / www.airaeuro.com

# 2/2 Way Angle Type Union Type Dust Collector Pulse Valve

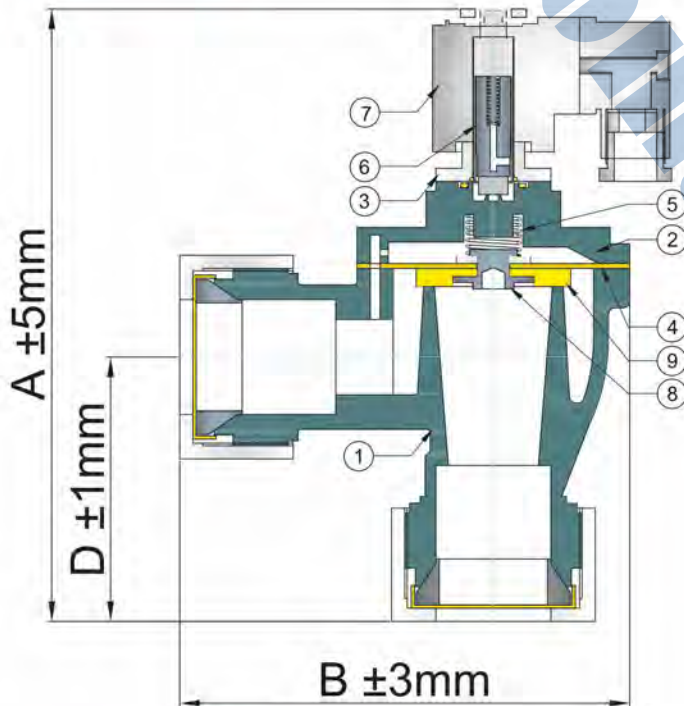


"aira" Offers Superior performance, Easy maintenance diaphragm valve available with dresser nut. Outlet at 90° to inlet valve are available as remote pilot valve and may be converted to integral pilot. Dust collector applications, in particular for reverse pulse jet filter cleaning and its variations Including bag filters, Cartridge filters, Envelope filters, Ceramic Filters & Sintered metal fiber filters.

## Size Range : 1" to 1.1/2" Screwed

Valves Specification	
Pressure Rating	0.6 to 8.5 Bar Max
Temperature	Rated for 80 °C max. ( For high temperature upto 125 °C Viton Diaphragm with Viton seat can be provide )
Coil Voltage	12V, 24V, 48V, 110V, 230V, AC/DC
Coil Insulation	"F" Class & "H" Class in Flameproof
Coil Encloser	IP 67 ( Flame Proof / Explosion Proof as Per IS / IEC - 60079-1
Meets	STD for Gas Group II C Zone 1 & 2
Coil Rating	Continuous Rated

Model : ASDD



Sr.No.	Description	Material
1	Body	Aluminum
2	Cover	Aluminum
3	Adaptor	Aluminum
4	Diaphragm	NBR
5	Diaphragm Spring	S. S. 304
6	Housing Plunger	STD.
7	Coil	STD.
8	Diaphragm Bolt	STD.
9	Diaphragm Gasket	NBR

## Solenoid Coil



(For General)  
2200 Model with Adaptor



(For General)  
2210 Model With Wire Type



Explosion & Flame Proof Coil  
[As per IS / IEC 60079-1 standard approved by Central Institute of Mining and Fuel Research (CIMFR)]

## Dimensions :

Valve Model	Valve Size		A	B	D
	MM	Inch			
ASDD - 25	25	1"	189	123	82
ASDD - 45	45	1.1/2"	241	176	125

(All Dimensions are in mm)

Pub. On : July 2018 (Rev-01)

# 2/2 Way Angle Type Dust Collector Pulse Valve

"aira" Offers high performance diaphragm operated valve with threaded ports. Available with integral pilot or as remotely piloted valve. Outlet at 90° to inlet.

### SUITABLE FOR

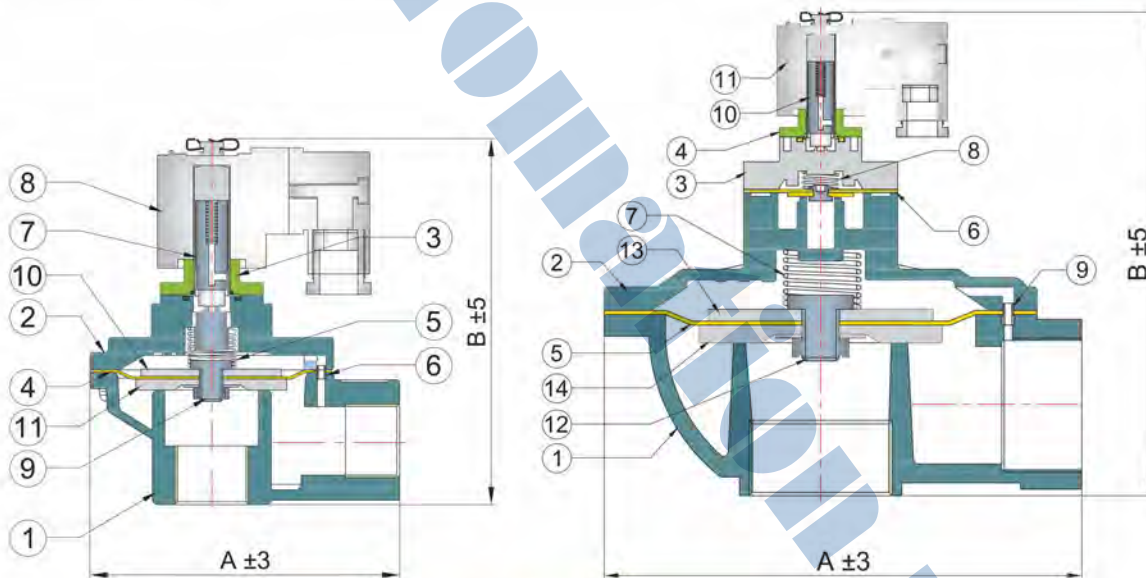
Dust collector applications, in particular for reverse pulse jet filter cleaning including bag filters, Cartridge filters, Envelope filters, Ceramic filters & Sintered metal fibre filters.

### Size Range : 1/2" to 3" Screwed

Valves Specification	
Pressure Rating	0.6 to 8.5 Bar Max
Temperature	Rated for 80 °C max. ( For high temperature upto 125 °C Viton Diaphragm with Viton seat can be provide )
Coil Voltage	12V, 24V, 48V, 110V, 230V, AC/DC
Coil Insulation	"F" Class
Coil Rating	Continuous Rated



Model : QSDA



### Double Diaphragm (Size : 1.1/2" to 3")

Sr.No.	Description	Material
1	Body	Aluminium
2	Big Cover	Aluminium
3	Small Cover	Aluminium
4	Adapter	Aluminium
5	Big Diaphragm	NBR / Viton
6	Small Diaphragm	NBR / Viton
7	Big Diaphragm Spring	S. S. 304
8	Small Diaphragm Spring	S. S. 304
9	Brass Pin	Brass
10	Plunger	STD.
11	Coil	STD.
12	Diaphragm Bolt	STD.
13	Flat Washer	Aluminium
14	Gasket	NBR

### Single Diaphragm (Size : 1/2" to 1.1/2")

Sr.No.	Description	Material
1	Body	Aluminium
2	Cover	Aluminium
3	Adapter	Aluminium
4	Diaphragm	NBR / Viton
5	Spring	S. S. 304
6	Brass Pin	Brass
7	Plunger	STD.
8	Coil	STD.
9	Bolt	S. S. 304
10	Flat Washer	Aluminium
11	Gasket	NBR

### Dimensions :

Valve Model	Valve Size		A	B	Weight Approx.
	MM	Inch			
QSDA-15	15	1/2"	102	125	0.700
QSDA-20	20	3/4"	105	125	0.650
QSDA-25	25	1"	105	123.25	0.600
QSDA-35	35	1.1/2"	120	143	1.200
QSDA-45	45	1.1/2"	138	175	1.600
QSDA-50	50	2"	205	205	2.950
QSDA-62	62	2.1/2"	210	222	3.300
QSDA-76	76	3"	230	245	3.900

(All Dimensions are in mm)

Pub. On : July 2018 (Rev-01)



# 2/2 Way Angle Type Dust Collector Pulse Valve



Model : 2SDA

"aira" Offers high performance diaphragm operated valve with threaded ports. Available with integral pilot or as remotely piloted valve. Outlet at 90° to inlet.

### SUITABLE FOR

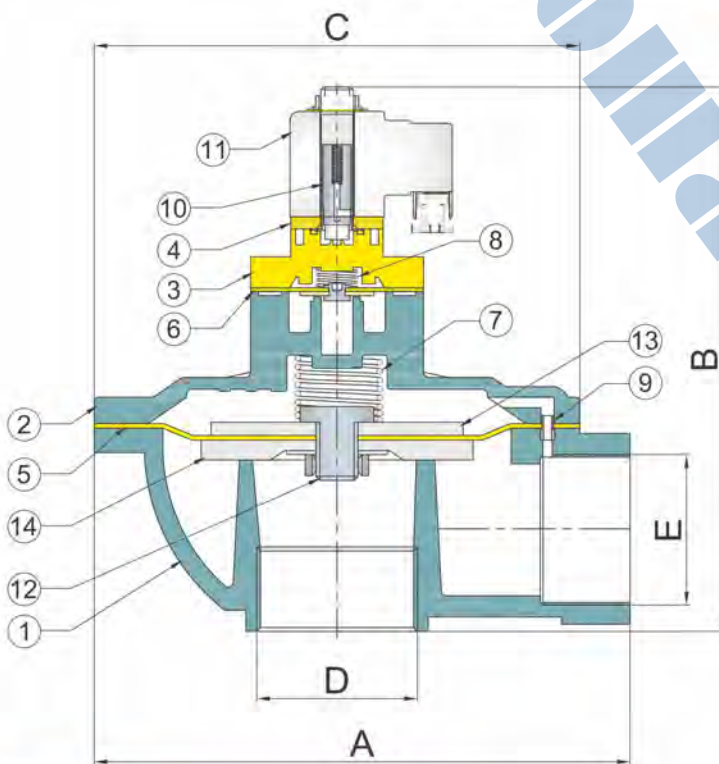
Dust collector applications, in particular for reverse pulse jet filter cleaning including bag filters, Cartridge filters, Envelope filters, Ceramic filters & Sintered metal fibre filters.

### Size Range : 2" to 3" Screwed

Valves Specification	
Pressure Rating	0.6 to 8.5 Bar Max
Temperature	Rated for 80 °C max. ( For high temperature upto 125 °C Viton Diaphragm with Viton seat can be provide )
Coil Voltage	12V, 24V, 48V, 110V, 230V, AC/DC
Coil Insulation	"F" Class & "H" Class in Flameproof
Coil Encloser	IP 67 ( Flame Proof / Explosion Proof as Per IS / IEC - 60079-1
Meets	STD for Gas Group II C Zone 1 & 2
Coil Rating	Continuous Rated

### Suitable For

Dust collector application, in particular for reverse pulse jet filter cleaning including bag filters, cartridge filters, envelope filters, ceramic filters and sintered metal fiber filters.



Sr.No.	Description	Material
1	Body	Aluminium
2	Big Cover	Aluminium
3	Small Cover	Aluminium
4	Adapter	Aluminium
5	Big Diaphragm	NBR
6	Small Diaphragm	NBR
7	Big Diaphragm Spring	S. S. 304
8	Small Diaphragm Spring	S. S. 304
9	Big Cover Brass Pin	Brass
10	Housing Plunger	STD.
11	Coil	STD.
12	Diaphragm Bolt	STD.
13	Diaphragm Flat Washer	Aluminium
14	Diaphragm Gasket	NBR

### Dimensions :

Valve Model	Valve Size		A	B	Weight Approx.
	MM	Inch			
2SDA-50	50	2"	205	212	2.950
2SDA-62	62	2.1/2"	210	232	3.300
2SDA-76	76	3"	230	253	3.900

(All Dimensions are in mm)



(For General) 2210 Model With Wire Type



(For General) 2200 Model with Adaptor



Explosion & Flame Proof Coil [As per IS / IEC 60079-1 standard approved by Central Institute of Mining and Fuel Research (CIMFR)]

Pub. On : July 2018 (Rev-01)





# 2/2 Way Angle Type Pilot Operated Pulse Valve



"aira" Offers The main pulse valve have just one moving part, the diaphragm, a unique springless construction in most of design, provides fast opening and closing of the valve. This high speed operation, not only saves compressed air, but it provides the kind of shock wave necessary to free the dust from filter bags. **aira** Pulse type valve is specially designed for reverse air jet dust collector and exhaust gas purifier system. High flow, long operational life and fast opening and closing contributes to produce reliable and economical operation.

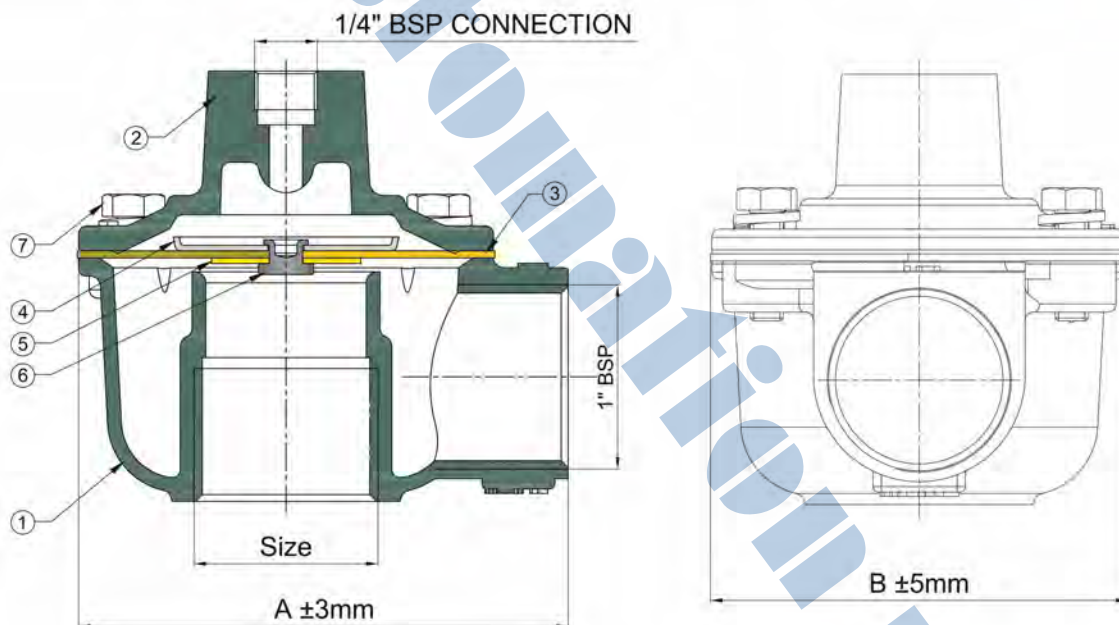


Model : APDA

## Size Range : 1/2" to 3" Screwed

Valves Specification	
Pressure Rating	0.6 to 10 Bar Max
Temperature	Rated for 80 °C max. ( For high temperature upto 125 °C Viton Piston with Viton seat can be provide )

Line Pressure	Operating Pressure
10 Kg/cm <sup>2</sup>	7 Kg/cm <sup>2</sup>
5 Kg/cm <sup>2</sup>	3 Kg/cm <sup>2</sup>
3 Kg/cm <sup>2</sup>	2 Kg/cm <sup>2</sup>



Sr.No.	Description	Material
1	Body	Aluminium
2	Cover	Aluminium
3	Diaphragm	PU / Nitrile / Neoprene
4	Embossed Washer	S.S. 304
5	Washer For Seat	S.S. 304
6	Pin For Diaphragm	S.S. 304
7	Fitting Bolt + Washer	S.S. 304

### Dimensions :

Valve Model	Valve Size		A	B	Weight Approx.
	MM	Inch			
APDA - 15	15	1/2"	89	75	0.400
APDA - 20	20	3/4"	89	75	0.450
APDA - 25	25	1"	89	75	0.500
APDA - 40	40	1.1/2"	128	107	1.000
APDA - 40	40	1.1/2"	128	111	1.200
APDA - 50	50	2"	205	163	2.500
APDA - 65	62	2.1/2"	210	176	2.700
APDA - 80	76	3"	230	194	2.900

(All Dimensions are in mm)

Pub. On : July 2018 (Rev-01)



# 2/2 Way Globe Type Solenoid Valve

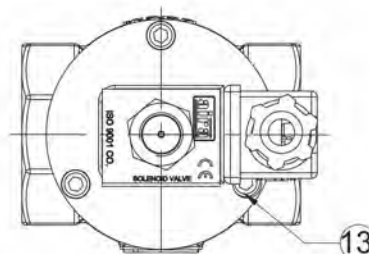
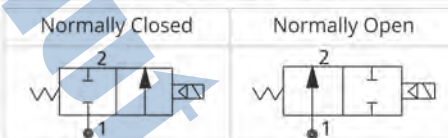


"aira" Offers 2 Way Directional Control Solenoid Valve which is devised of IC CF8 / CF8M. These are accurate in size and are easy to install.

## Size Range : 1" & 1.1/2" Screwed

### Valves Specification

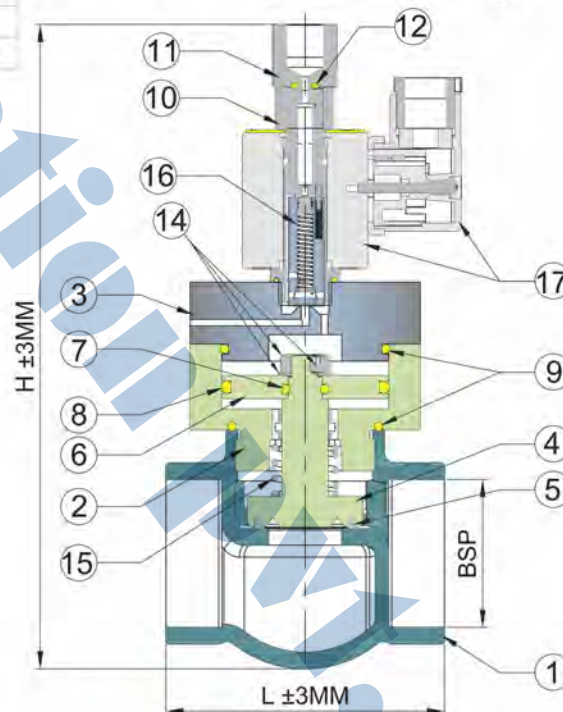
Pressure Rating	20 - 125 PSI ( High Pressure Available On Request )
Temperature	Upto 80 °C max.
Coil Voltage	12V, 24V, 48V, 110V, 230V, AC/DC
Coil Insulation	"F" Class & "H" Class in Flameproof
Coil Encloser	IP 67 ( Flame Proof / Explosion Proof as Per IS IEC - 60079-1
Meets	STD for Gas Group II C Zone 1 & 2
Coil Rating	Continuous Rated
Media	Drain & Dispensing



Model : EPG

25 MM ( 1" )		40 MM ( 1.1/2" )	
Line Pressure	Operating Pressure	Line Pressure	Operating Pressure
10 Kg/cm <sup>2</sup>	7.5 Kg/cm <sup>2</sup>	10 Kg/cm <sup>2</sup>	7.5 Kg/cm <sup>2</sup>
5 Kg/cm <sup>2</sup>	3.5 Kg/cm <sup>2</sup>	5 Kg/cm <sup>2</sup>	4 Kg/cm <sup>2</sup>
3 Kg/cm <sup>2</sup>	2 Kg/cm <sup>2</sup>	3 Kg/cm <sup>2</sup>	3.5 Kg/cm <sup>2</sup>

Sr.No.	Description	Material
1	Body	CF8 / CF8M
2	Bonnet	Aluminium
3	Top Cover For Bonnet	Aluminium
4	Plug Shaft	Aluminium
5	Plug Shaft Moulding	NBR
6	Piston	Aluminium
7	O-Ring For Piston (SMALL)	Hi - Nitrile
8	O-Ring For Piston (BIG)	Hi - Nitrile
9	O-Ring For Bonnet & Top Cover	Hi - Nitrile
10	Coil Fitting Lock Nut	S.S.304
11	1/4" Connection Nut	S.S.304
12	O-Ring For Connection Nut	Hi - Nitrile
13	Top Cover Fitting L.N Bolt	S.S.304
14	Plug Shaft Nut, Grub Screw & Washer	S.S.304
15	Piston Spring	S.S.304
16	Housing Plunger Assembly	STD
17	Coil	STD



## Solenoid Coil



(For General)  
2200 Model with Adaptor



(For General)  
2210 Model With Wire Type



Explosion & Flame Proof Coil  
[As per IS / IEC 60079-1 standard approved by Central Institute of Mining and Fuel Research (CIMFR)]

### Dimensions :

Valve Model	Valve Size		L	H	Weight Approx.
	MM	Inch			
EPG - 25	25	1"	65	172	
EPG - 40	40	1.1/2"	85	195	

(All Dimensions are in mm)

Pub. On : July 2018 (Rev-01)

# 3/2 Way Midget Type Direct Acting Solenoid Valve



"aira" Offers 3/2 Way Direct Acting Solenoid Valve

## Size Range : 1/4" Screwed

### Types :

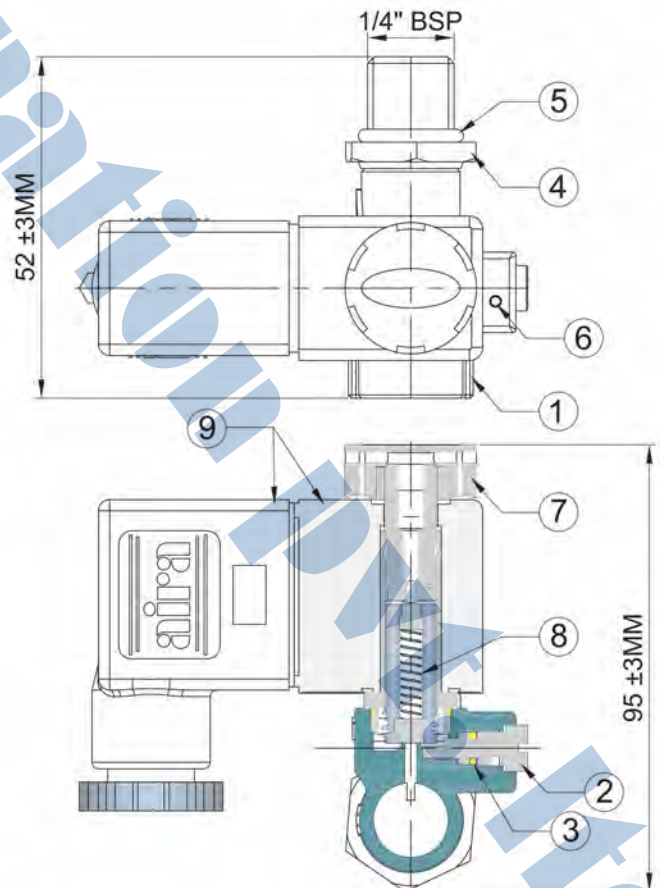
1. Normally Inlet Closed
2. Energised to Open
3. De-energised to Exhaust.



Model : DMV

Valves Specification	
Size	1/4"
Pressure Rating	0 to 7 Bar
Temperature	Upto -5 to 80 °C max.
Coil Voltage	12V, 24V, 48V, 110V, 230V, AC/DC
Coil Insulation	"F" Class
Coil Rating	Continuous Rated
Connection	Inlet Port BSP Female Thread & Outlet Port BSP Male Thread (Inlet & Outlet NPT On Request)
Media	Air & Gas

Sr.No.	Description	Material
1	Body	CF8 / CF8M
2	M.O. Pin	S.S. 304
3	O-Ring For M.O Pin	Hi - Nitrile
4	Lock Nut	S.S. 304 / Brass
5	O-Ring For Lock Nut	Hi - Nitrile
6	Dowel Pin	S.S. 304
7	Coil Fitting Nut	Nylon
8	Plunger Set	STD.
9	Coil	STD.



Pub. On : July 2018 (Rev-01)



[www.airaindia.com](http://www.airaindia.com) / [www.airaeuro.com](http://www.airaeuro.com)



Model : DFS



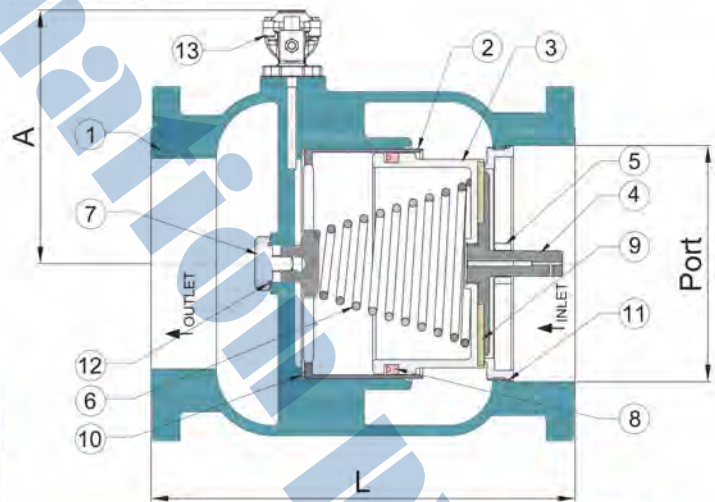
Pattern Registered  
No.: 234471

"aira" Offers Solenoid operated drum valve is a kind of isolation valve, which can substitute traditional gate valves, ball valves and butterfly valves. The gate functioning is easily controlled by electrical power. The valve can be installed in fire control facility, water supply, or distant location where it's difficult to control the gate opening. The controller is directly fixed and can be easily installed on piping site. Interchangeable between manual and solenoid operated drum valve.

## Size Range : 2" to 24" Flanged

### Features

- Valve Body is made by Stainless Steel #316, suitable for fluid, air and steam.
- The gate is balanced-pressure designed, which will not influence the outlet pressure caused by unstable inlet pressure.
- When the outlet pressure responds directly to the pressure control chamber and adjusts the setting pressure, it responds quickly and adjusts the pressure accurately
- Design of piston and diaphragm improves the inability of sustaining pressure and leakage.
- Pressure Adjusting Range : 1 ~ 6 kgf/cm<sup>2</sup>, 4 ~ 10 kgf/cm<sup>2</sup>, 8 ~ 13 kgf/cm<sup>2</sup>
- Pressure needed from fully-closed gate to fully-opened gate : 1.5 kgf/cm<sup>2</sup> ( 1 kgf/cm<sup>2</sup> = 14.2 psi)
- Applied Temperature : -15 ~ 100 °C, 100 ~ 180 °C (For steam)
- Valve Body Testing Pressure : 35 kgf/cm<sup>2</sup>
- Maximum Applied Pressure : 25 kgf/cm<sup>2</sup>



### Dimensions :

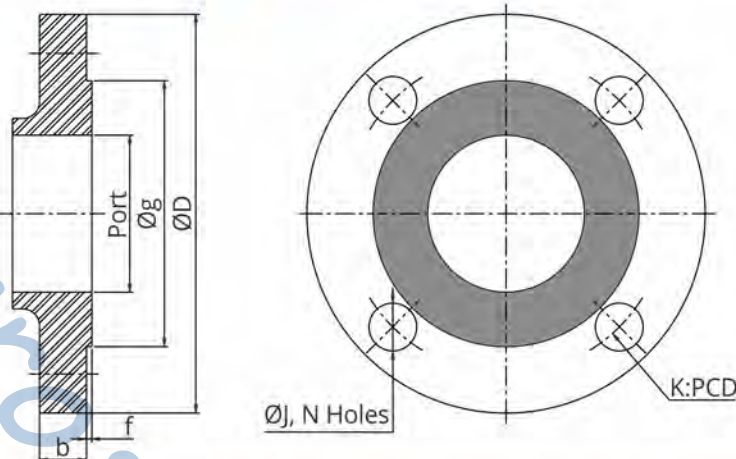
Valve Model	Valve Size		Port	A	L	CV	Weight (App.) Kgs.
	MM	Inch					
DFS - 50	50	2"	60	137.5	190	75	8.980
DFS - 65	65	2.1/2"	69	147.5	210	105	11.760
DFS - 80	80	3"	84	162.5	225	140	17.380
DFS - 100	100	4"	110	175	250	260	23.140
DFS - 125	125	5"	131.5	193.5	280	390	49.360
DFS - 150	150	6"	158.5	216.5	309.5	550	49.360
DFS - 200	200	8"	208.5	254.5	419	1000	92.100
DFS - 250	250	10"	257	287.5	473	1699	124.120
DFS - 300	300	12"	302	321.5	532	2200	196.640
DFS - 350	350	14"	324	365	600	3000	264.700
DFS - 400	400	16"	345	365	604	4000	278.400
DFS - 450	450	18"	472	448	766	5300	457.100
DFS - 500	500	20"	472	448	772.7	6100	491.250
DFS - 600	600	24"	589	510	900	9200	---

(All Dimensions are in mm)

No.	Description	Material
1	Body	C. I. / WCB / CF8 / CF8M
2	Cover	Stainless Steel 304 / 316
3	Plug	Stainless Steel 304 / 316
4	Piston	Stainless Steel 304 / 316
5	Piston Guide	Stainless Steel 304 / 316
6	Spring For Piston	S. S. 304
7	Piston Cover Lock Bolt	S. S.
8	V-Seal For Piston	NBR / Viton / EPDM
9	Piston Seat Ring	NBR / Viton / EPDM
10	Flat Ring	NBR / Viton / EPDM
11	O-Ring For Piston Guide	NBR / Viton / EPDM
12	O-Ring For Piston Lock Bolt	NBR / Viton / EPDM
13	Solenoid Valve	Drum Type Solenoid Valve STD.

Pub. On : July 2018 (Rev-01)

# Flange Dimensions Table 150#

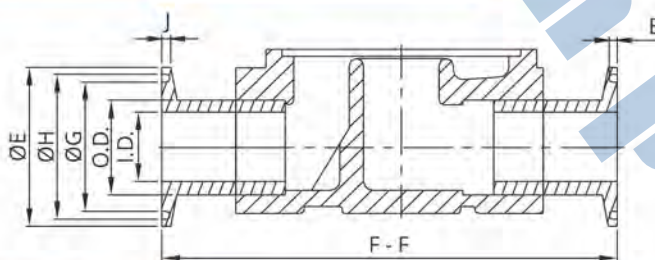


As Per ASME B16.5 150# Dimensions Table

Valve Size		Port	L1	ØD	Øg	b	f	ØJ	N	PCD
Inch	MM									
1/2"	15	13	108	90	34.9	9.6	2	15.9	4	60.3
3/4"	20	19	117	100	42.9	11.2	2	15.9	4	69.9
1"	25	25	127	110	50.8	12.7	2	15.9	4	79.4
1.1/4"	32	32	140	115	63.5	14.3	2	15.9	4	88.9
1.1/2"	40	38	165	125	73	15.9	2	15.9	4	98.4
2"	50	49	178	150	92.1	17.5	2	19.05	4	120.7
2.1/2"	65	62	190	180	104.8	20.7	2	19.05	4	139.7
3"	80	74	203	190	127	22.3	2	19.05	4	152.4
4"	100	100	229	230	157.2	22.3	2	19.05	8	190.5
5"	125	125	254	255	185.7	22.3	2	22.2	8	215.9
6"	150	150	267	280	215.9	23.9	2	22.2	8	241.3

(All Dimensions are in mm)

# Triclover Ends (TC Ends) Dimensions Table



Dimensions :

Valve Size		ØE	ØG	ØH	I. D.	O. D.	J	F - F	B
MM	Inch								
15	1/2"	34	25.5	29.5	12.5	18.5	2.8	95	1.5
20	3/4"	34	25.5	29.5	17	23	2.8	110	1.5
25	1"	50.5	42	46	24	31	2.8	125	1.5
40	1.1/2"	50.5	42	46	32	41	2.8	150	1.5
50	2"	64	55.5	59.5	42.5	52.5	2.8	165	1.5

(All Dimensions are in mm)

Pub. On : July 2018 (Rev-01)

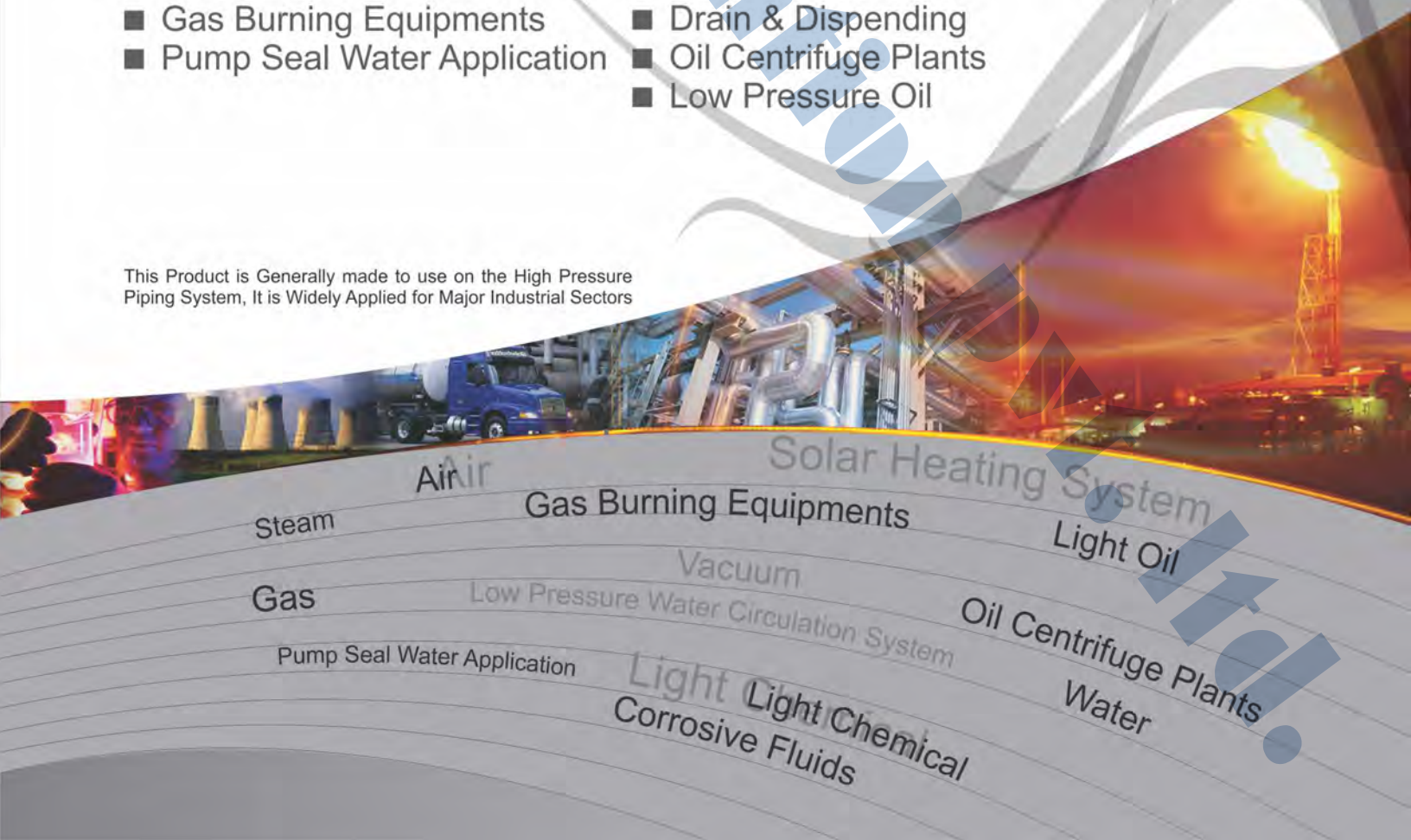
## Installations

- Indian Oil
- Reliance Industries Limited
- ONGC
- Hindalco
- Godrej
- Indian Railway
- Vedanta
- Voltas
- NTPC
- Gujarat State Fertilizers & Chemical Ltd.
- L & T
- Gail
- Hindustan Petroleum
- BHEL
- IFFCO
- BARC
- Thermax
- Essar

# Applications

- Air
- Water
- Gas
- Light Oil
- Light Chemical
- High Volume & Low Pressure Application
- Vacuum
- Corrosive Fluids
- Autoclaves
- Gas Burning Equipments
- Pump Seal Water Application
- Low Pressure Water Circulation System
- Solar Heating System
- Gas Generator
- Hot Water
- Steam
- High Temperature Fluids
- LD Oil
- Chemical
- Dust Collector Application
- Ceramic Filters
- Drain & Dispensing
- Oil Centrifuge Plants
- Low Pressure Oil

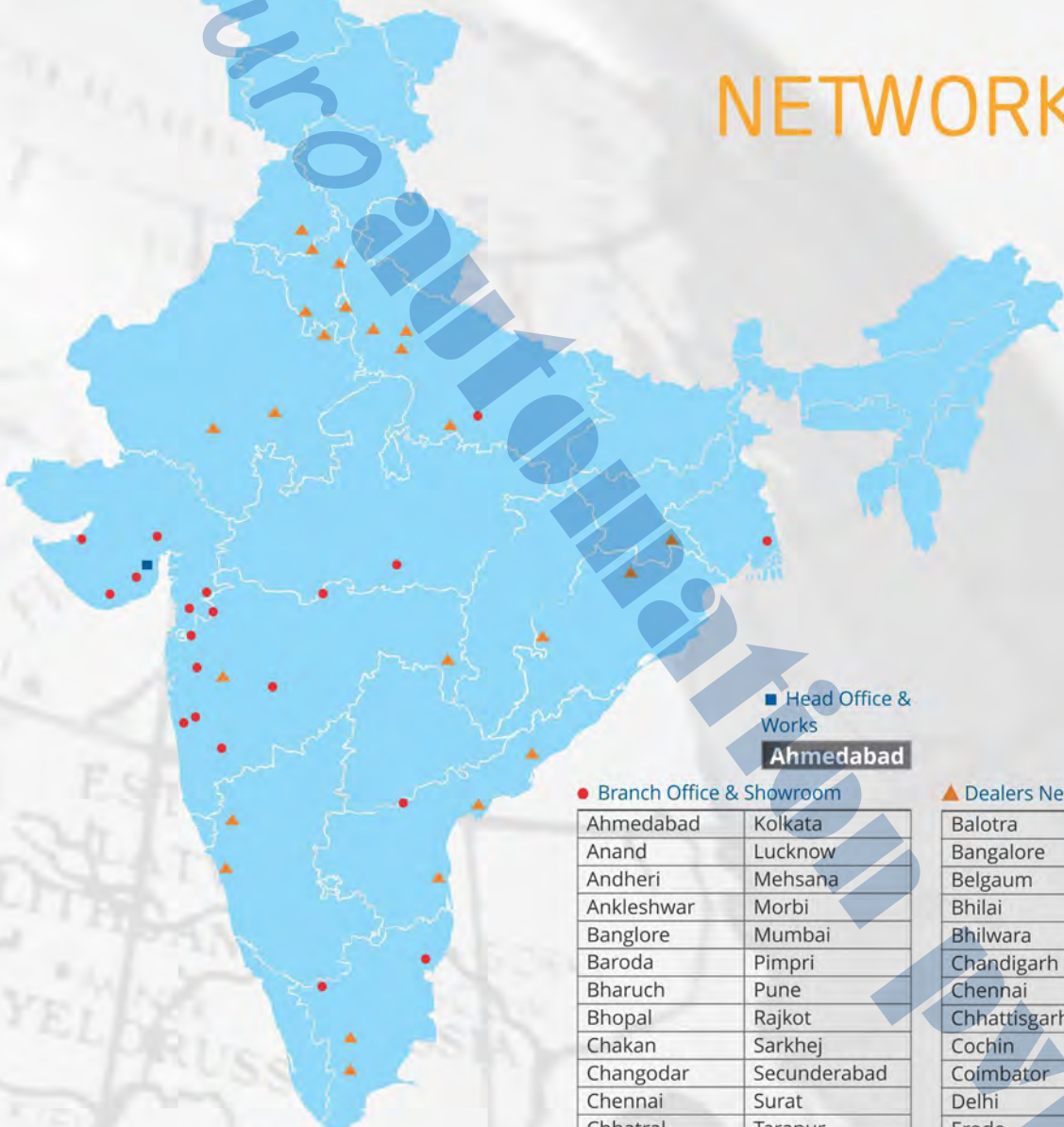
This Product is Generally made to use on the High Pressure Piping System, It is Widely Applied for Major Industrial Sectors



Air  
Steam  
Gas  
Pump Seal Water Application  
Solar Heating System  
Gas Burning Equipments  
Vacuum  
Low Pressure Water Circulation System  
Light Oil  
Oil Centrifuge Plants  
Water  
Light Chemical  
Corrosive Fluids

TIME TESTED DESIGNS WITH  
SUPERIOR PERFORMANCE

# NETWORK



■ Head Office & Works

**Ahmedabad**

● Branch Office & Showroom

Ahmedabad	Kolkata
Anand	Lucknow
Andheri	Mehsana
Ankleshwar	Morbi
Banglore	Mumbai
Baroda	Pimpri
Bharuch	Pune
Bhopal	Rajkot
Chakan	Sarkhej
Changodar	Secunderabad
Chennai	Surat
Chhatral	Tarapur
Dahej	Thane
Faridabad	Vapi
Gandhidham	Vasai
Hyderabad	Vatva
Indore	
Kim	

▲ Dealers Network

Balotra	Kolkata
Bangalore	Karnal
Belgaum	Kolhapur
Bhilai	Lubhiana
Bhilwara	Mangalore
Chandigarh	Meerut
Chennai	Muzaffarnagar
Chhattisgarh	Nagpur
Cochin	Noida
Coimbatore	Pali
Delhi	Panipat
Erode	Rajamundry
Faridabad	Raipur
Gaziabad	Ranchi
Haryana	Panipet
Hyderabad	Pune
Indore	Ranipath
Jaipur	Rudrapur
Jalandher	Saharanpur
Jamshedpur	Secunderabad
Jodhpur	Tripur
Kanpur	Vishakhapatnam



aira Euroautomation pvt. ltd.

Mfg. & Mkt by :

**airaEuroautomation pvt. ltd.**

**INDIA**



[www.airaindia.com](http://www.airaindia.com) / [www.airaeuro.com](http://www.airaeuro.com)

Available At :



Pub. On ASV\_July\_2018\_3K